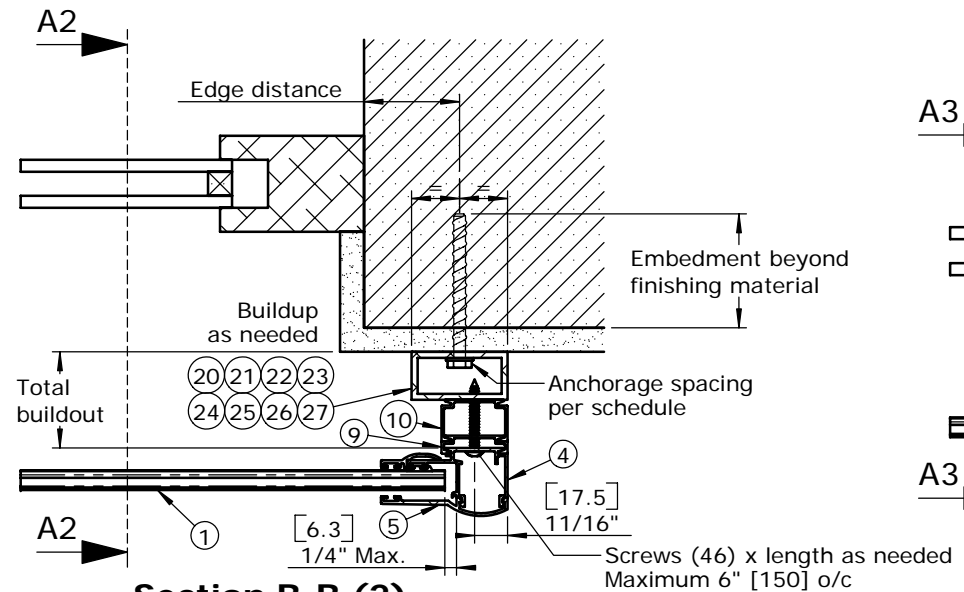
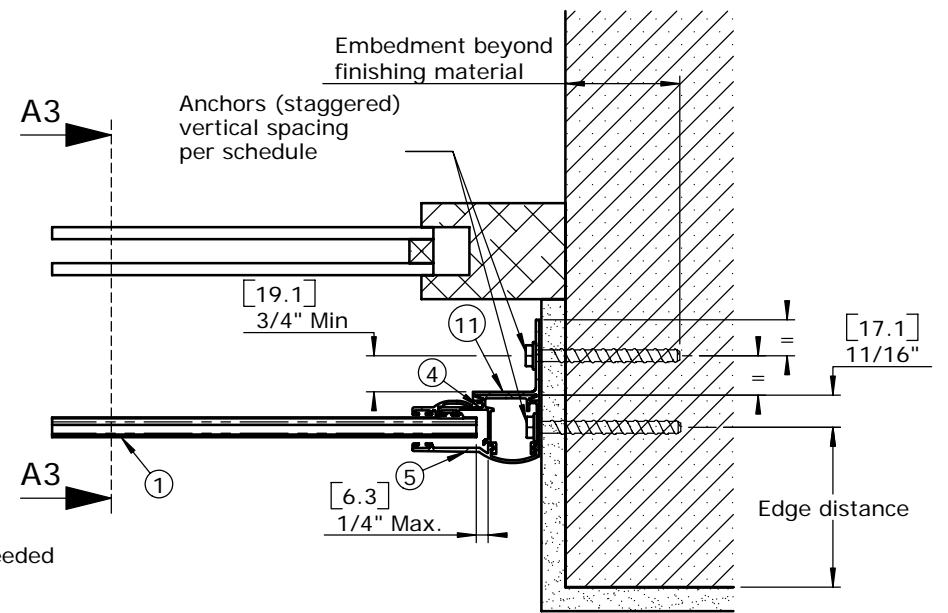


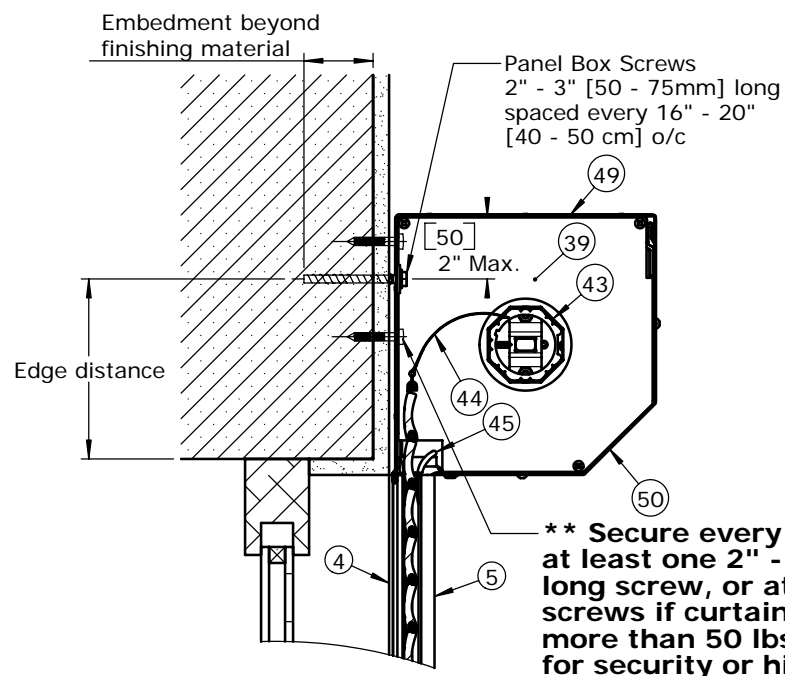
Section B-B (1)



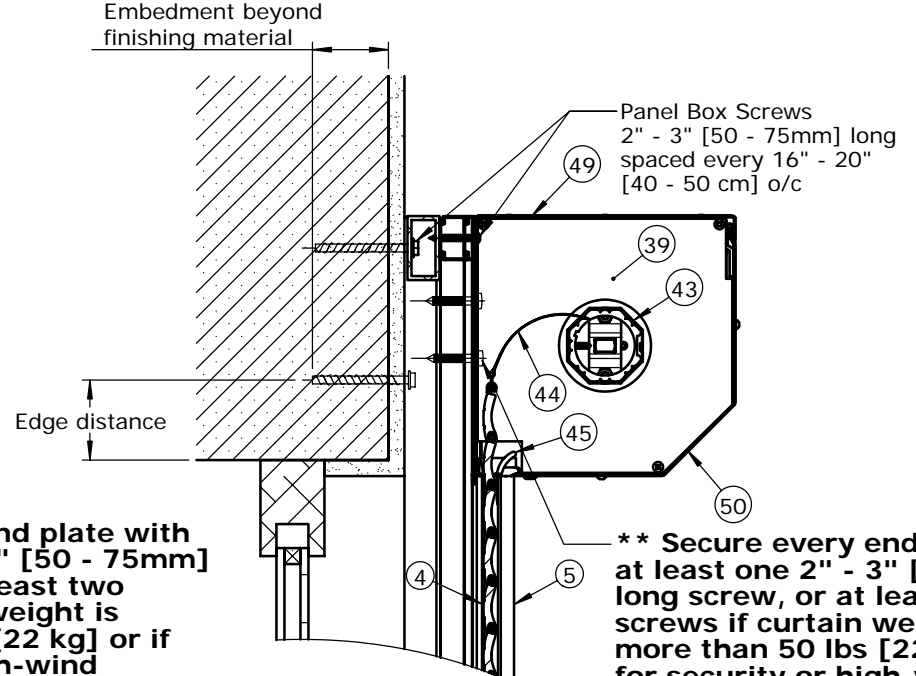
Section B-B (2)



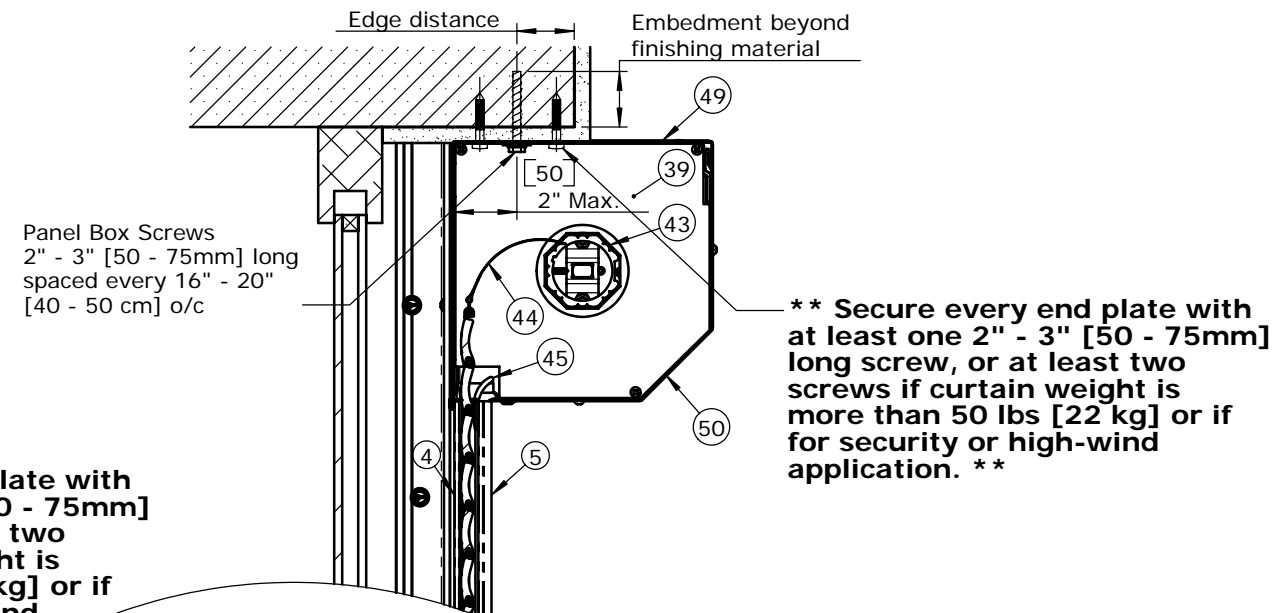
Section B-B (3)



**Section A-A (1)
Wall Mount**

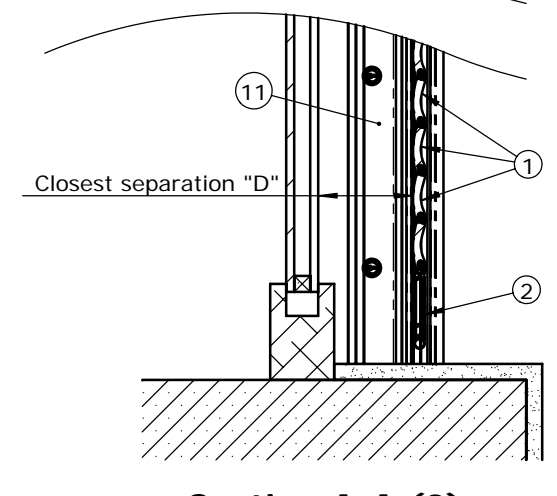
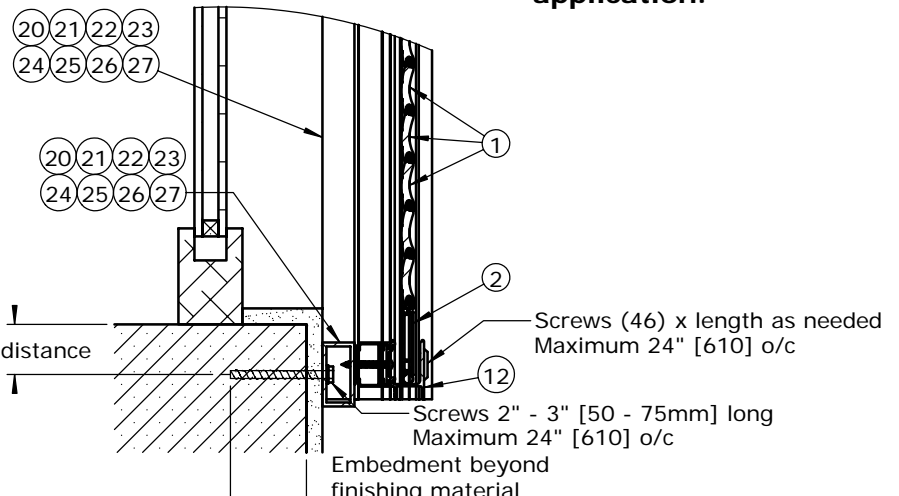
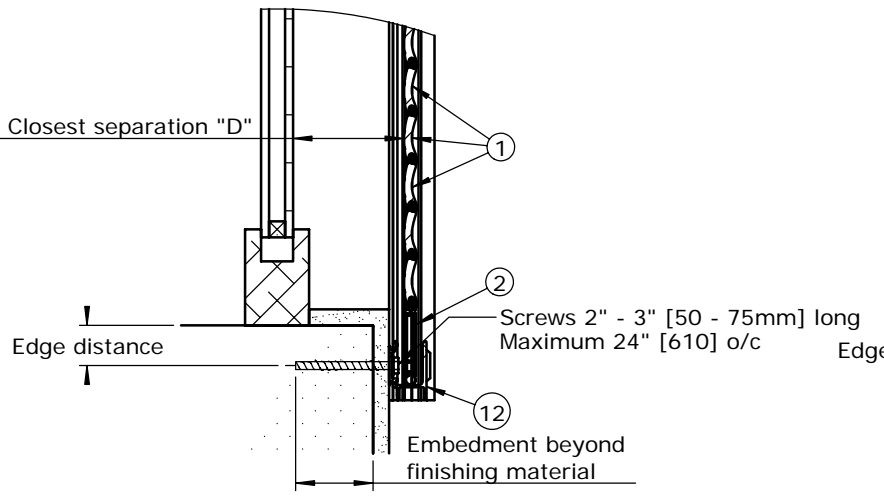


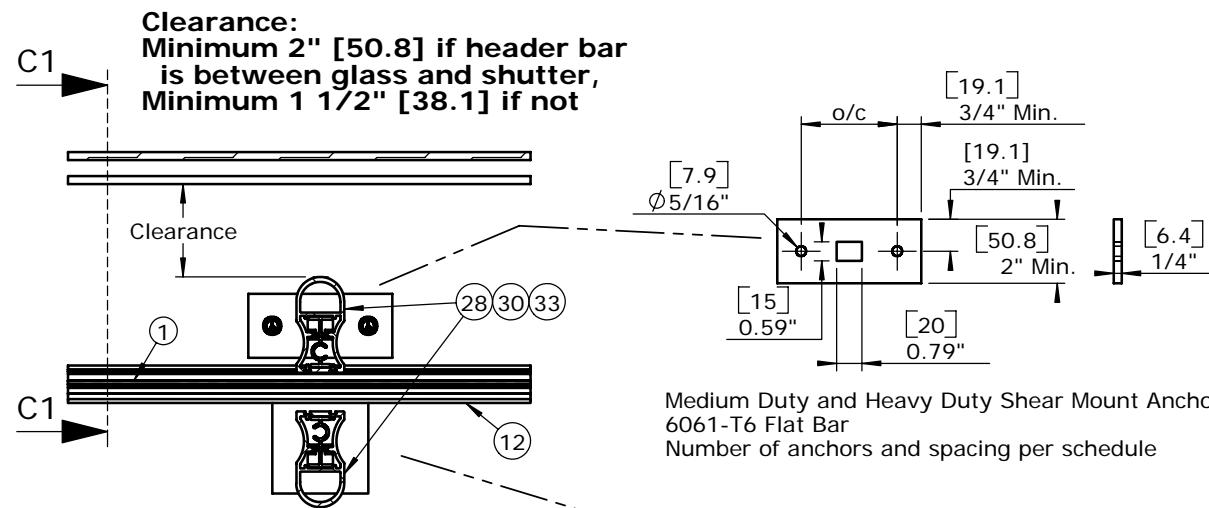
**Section A-A (2)
Build-Out Mount**



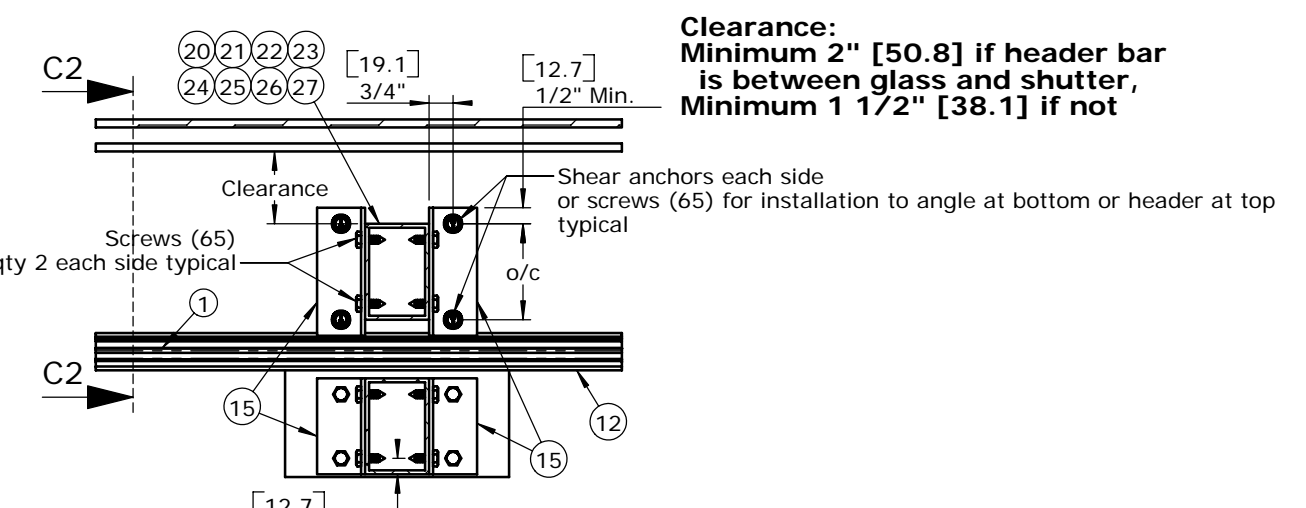
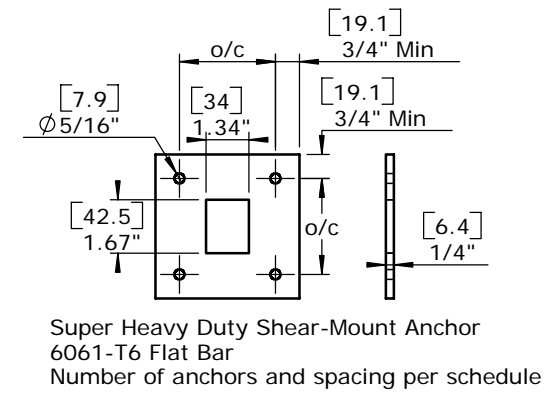
**Section A-A (3)
Inset Mount**

**** Secure every end plate with at least one 2" - 3" [50 - 75mm] long screw, or at least two screws if curtain weight is more than 50 lbs [22 kg] or if for security or high-wind application. ****

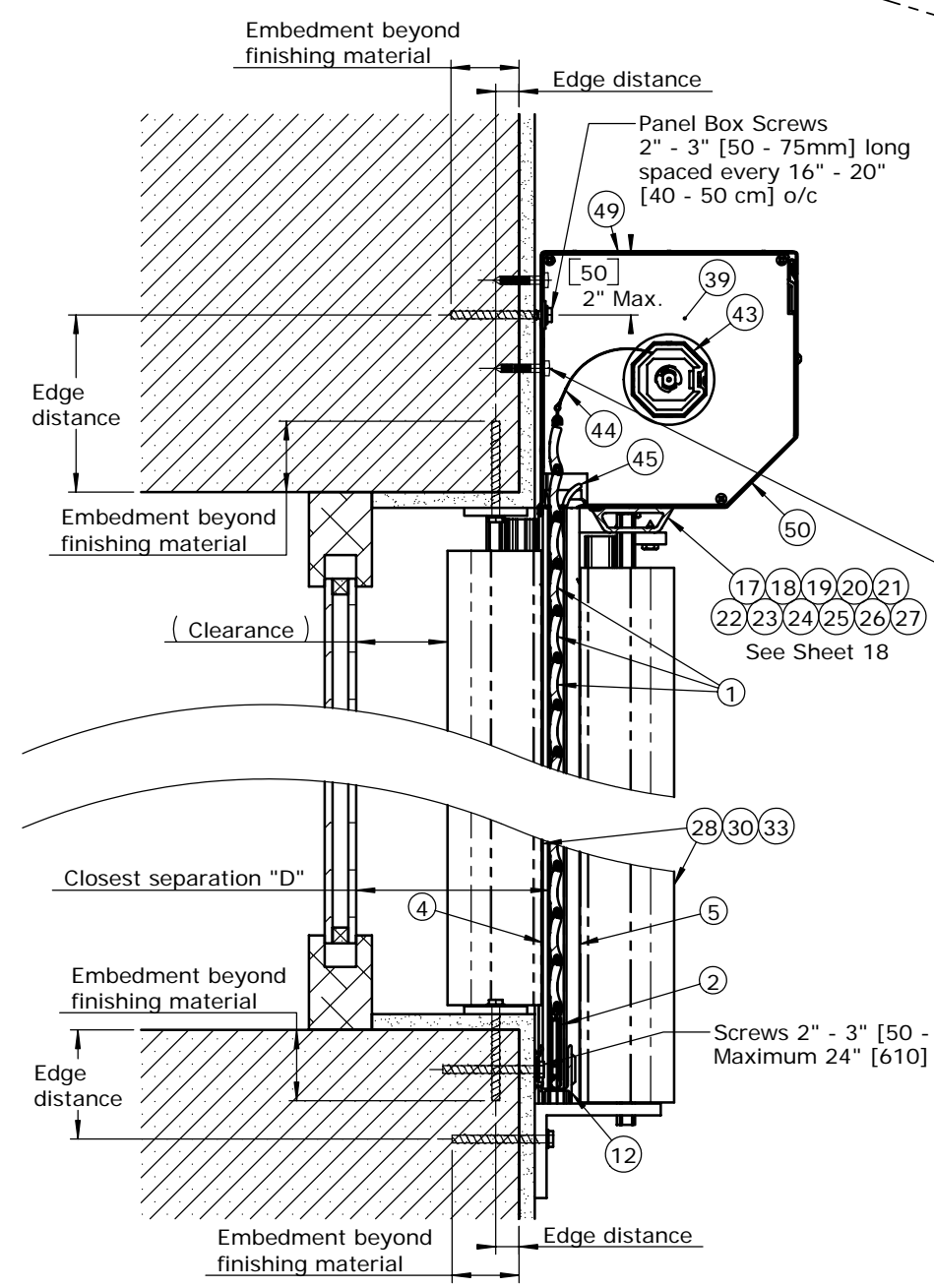




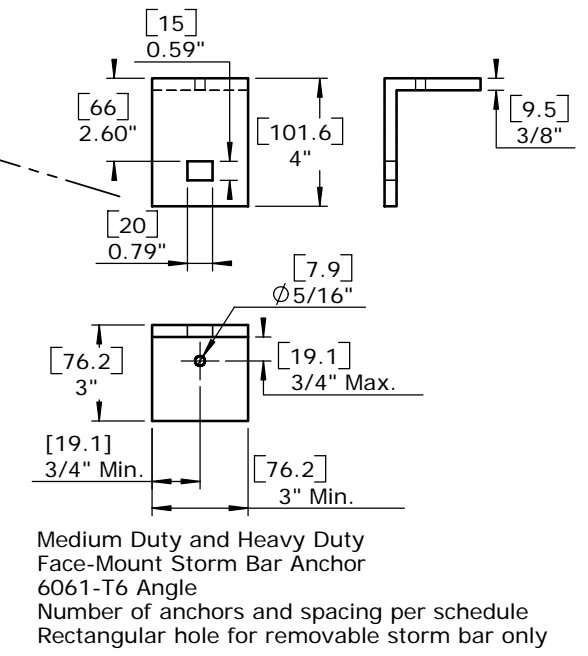
Section D-D (1)



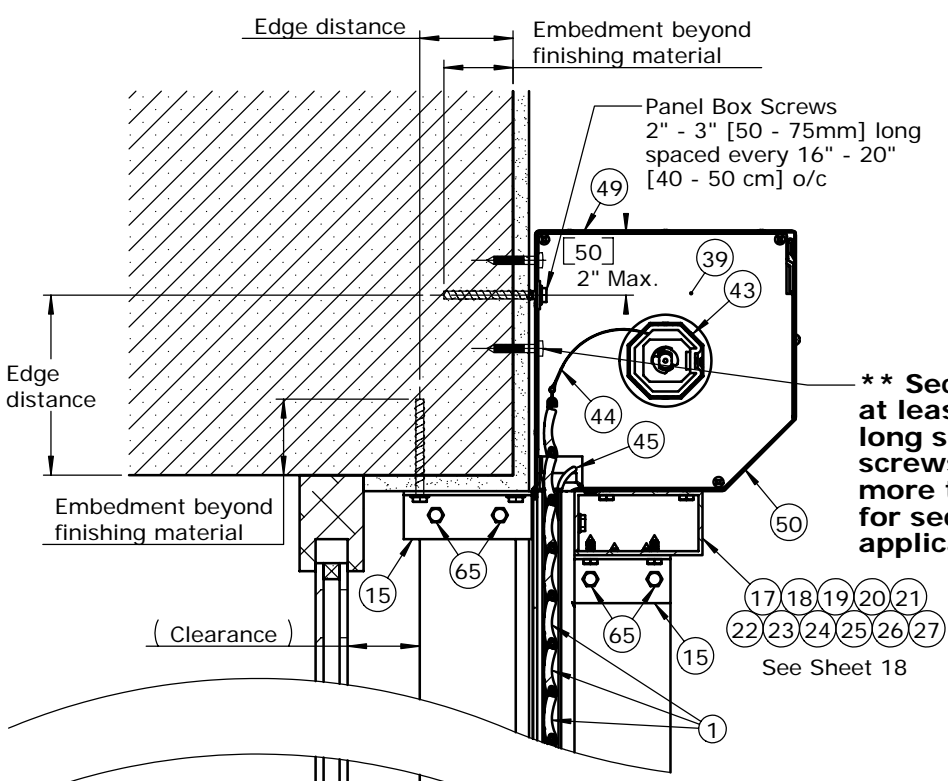
Section D-D (2)



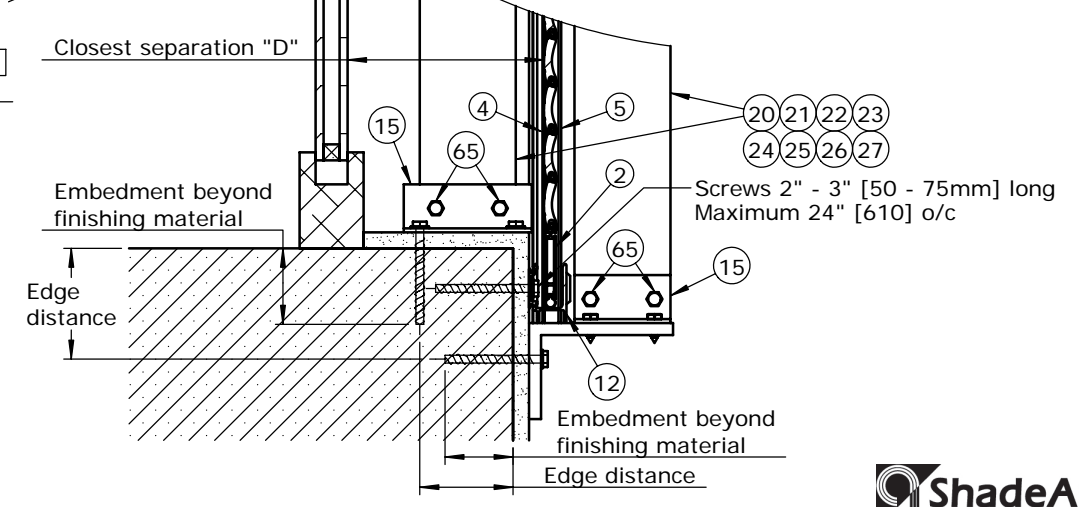
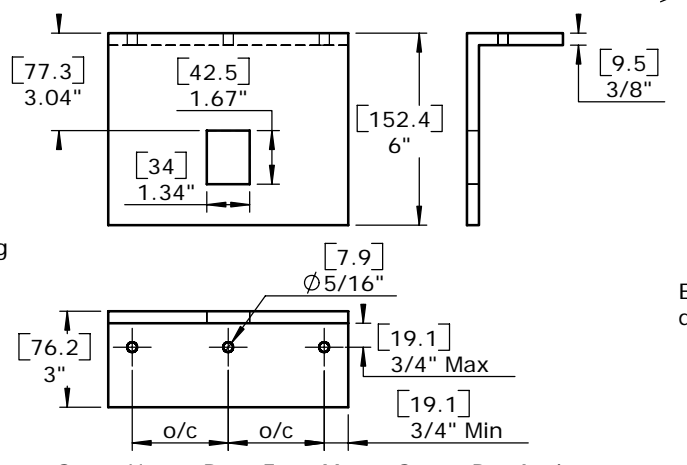
Section C-C (1)
Wall Mount (Removable Storm Bars)



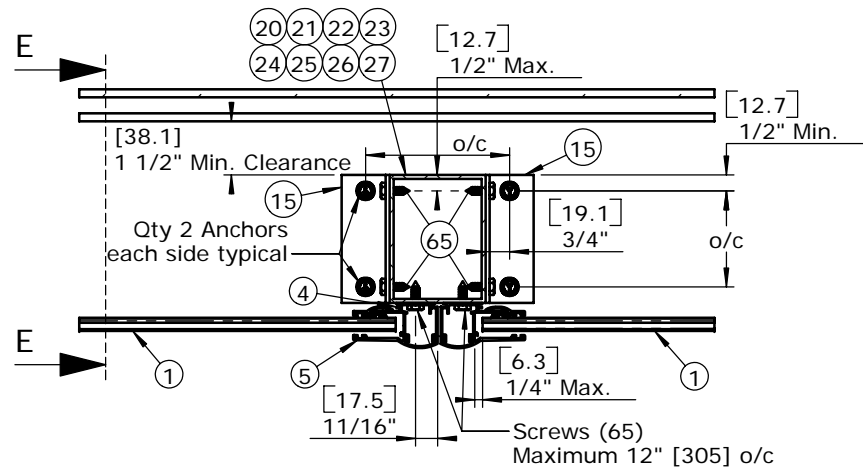
**** Secure every end plate with at least one 2" - 3" [50 - 75mm] long screw, or at least two screws if curtain weight is more than 50 lbs [22 kg] or if for security or high-wind application. ****



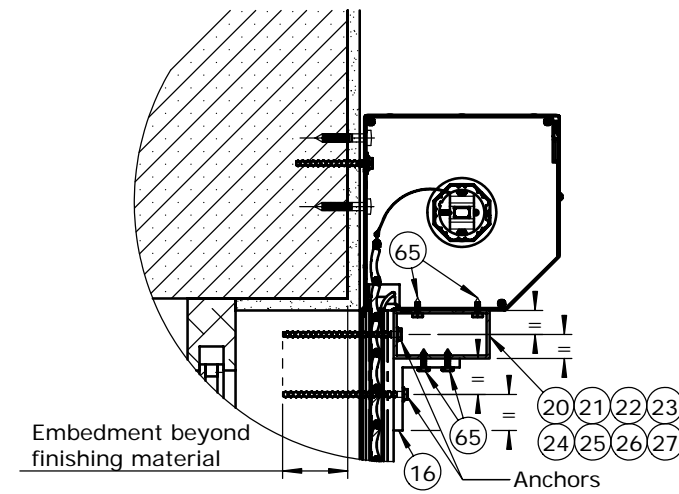
**** Secure every end plate with at least one 2" - 3" [50 - 75mm] long screw, or at least two screws if curtain weight is more than 50 lbs [22 kg] or if for security or high-wind application. ****



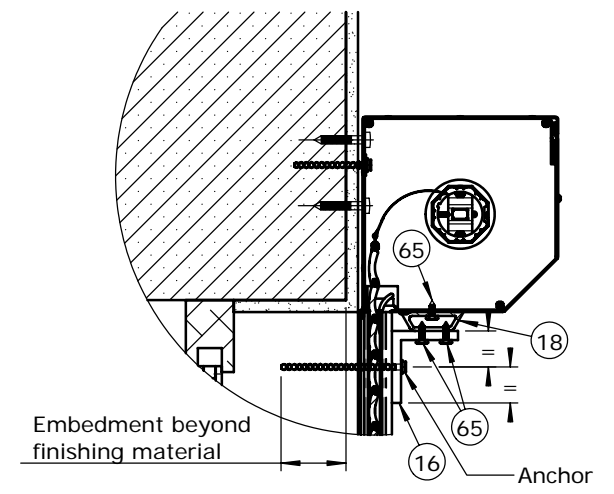
Section C-C (2)
Wall Mount (Permanent Storm Bars)



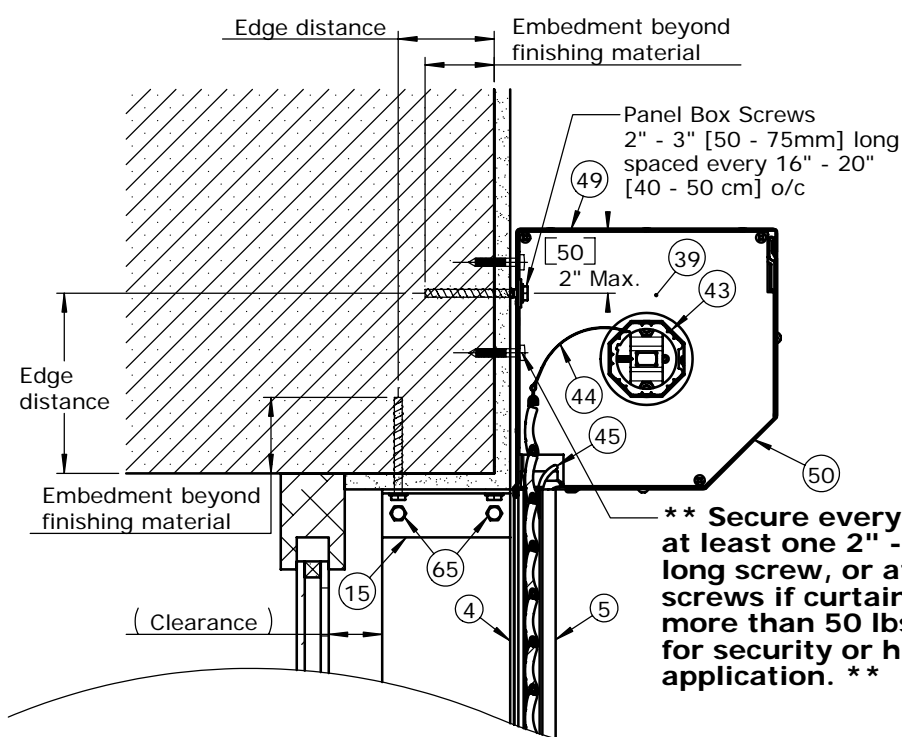
Section F-F



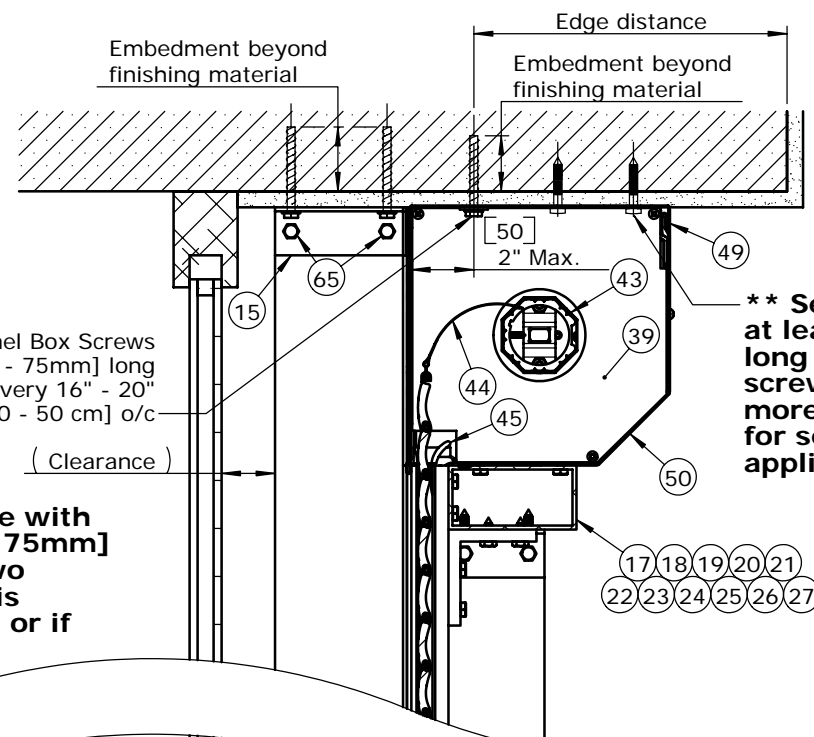
**Section A-A
Rectangular Header Wall Mount**



**Section A-A
Heavy Duty Header Wall Mount**

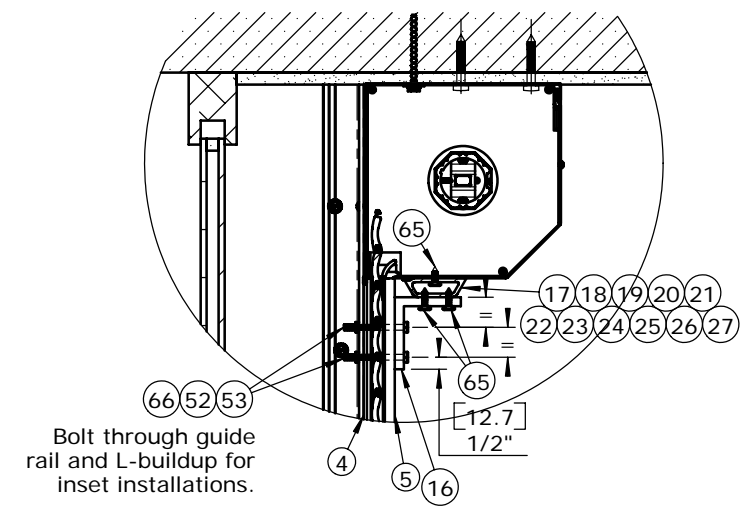


**Section E-E (1)
Mullion Wall Mount**



**Section E-E (2)
Mullion Inset Mount**

**** Secure every end plate with at least one 2" - 3" [50 - 75mm] long screw, or at least two screws if curtain weight is more than 50 lbs [22 kg] or if for security or high-wind application. ****



**Section A-A
Header Inset Mount**