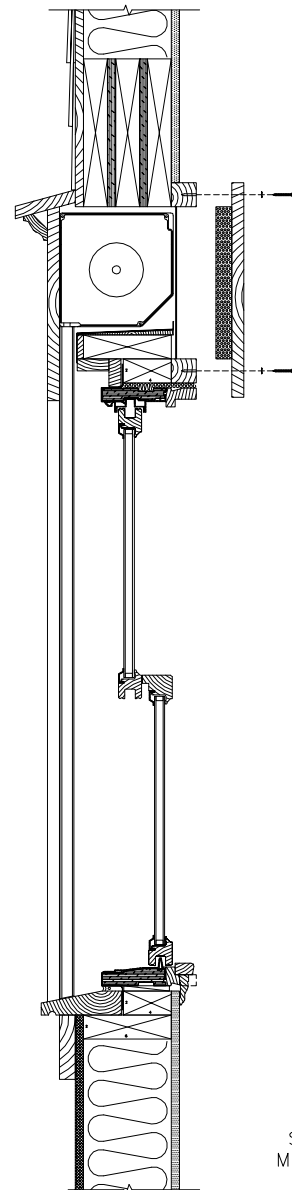
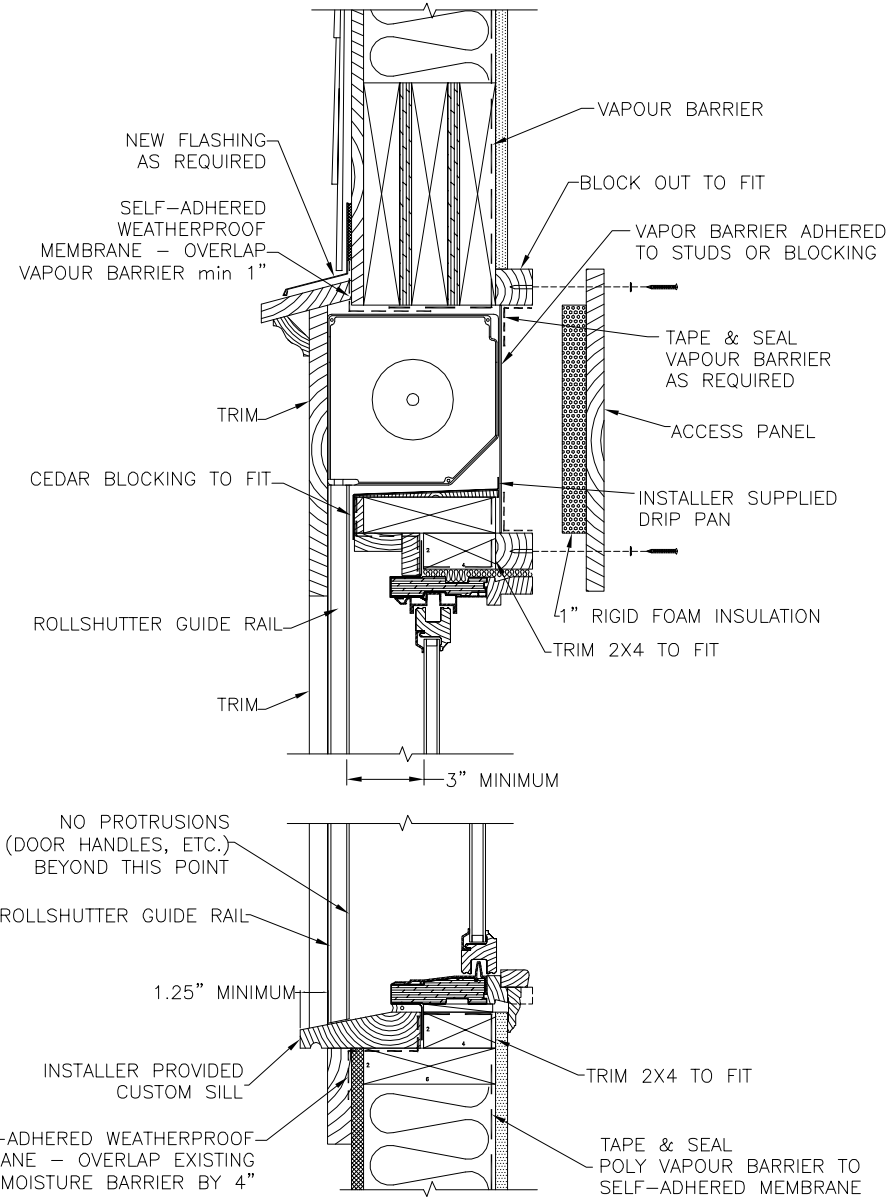


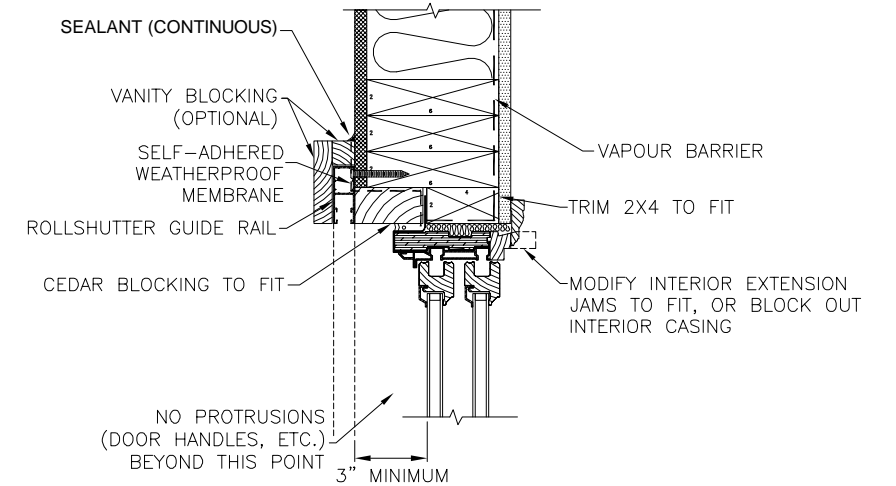
ELEVATION
SCALE: 1"=1'-0"



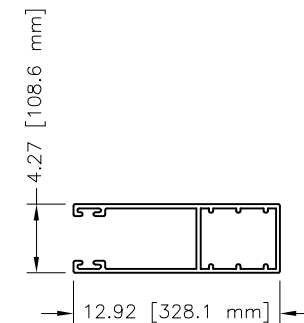
OVERALL SECTION
SCALE: 1"=1'-0"



SECTION DETAIL
SCALE: 1 1/2"=1'-0"



VERTICAL CROSS SECTION
(LOOKING DOWN)
SCALE: 1 1/2"=1'-0"



PART No.
NAME: HTF 40

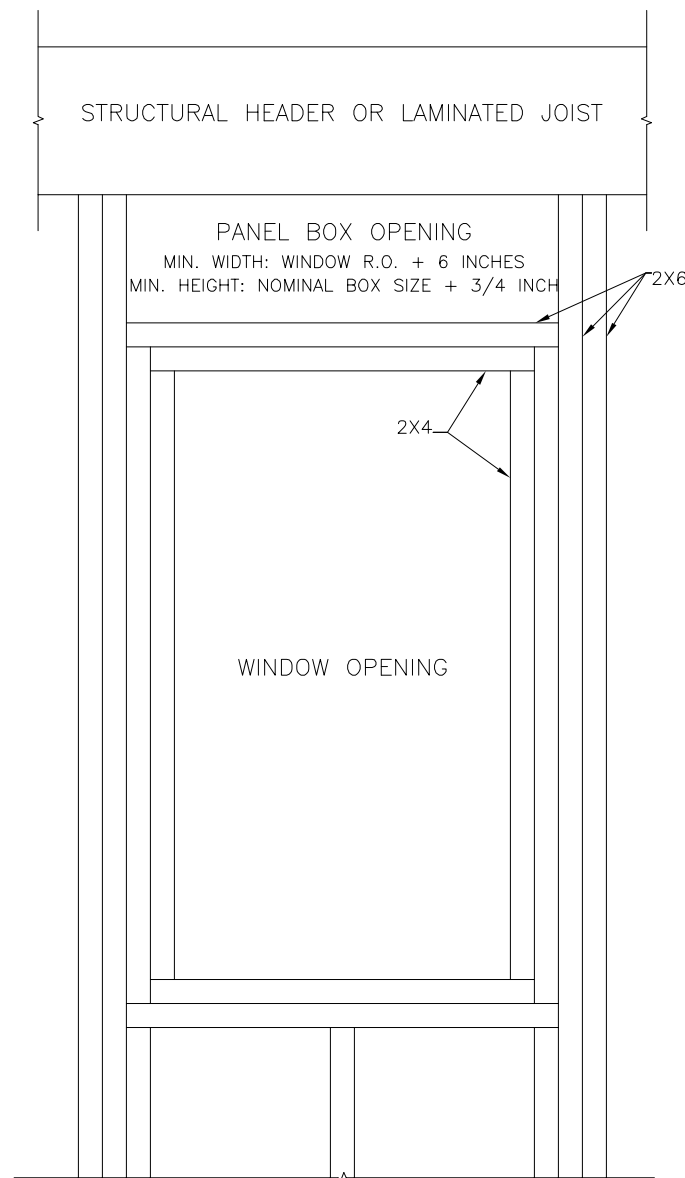
SCALE: NTS

THIS DRAWING CONTAINS TRADE SECRETS AND CONFIDENTIAL AND PROPRIETARY INFORMATION OF SHADE & SHUTTER SYSTEMS, INC. IT IS NOT TO BE USED OR DISCLOSED WITHOUT EXPRESS WRITTEN PERMISSION OF SHADE & SHUTTER SYSTEMS, INC. By accepting the document you agree to the above. Copyright © Shade & Shutter Systems, Inc. 2003. All rights reserved.

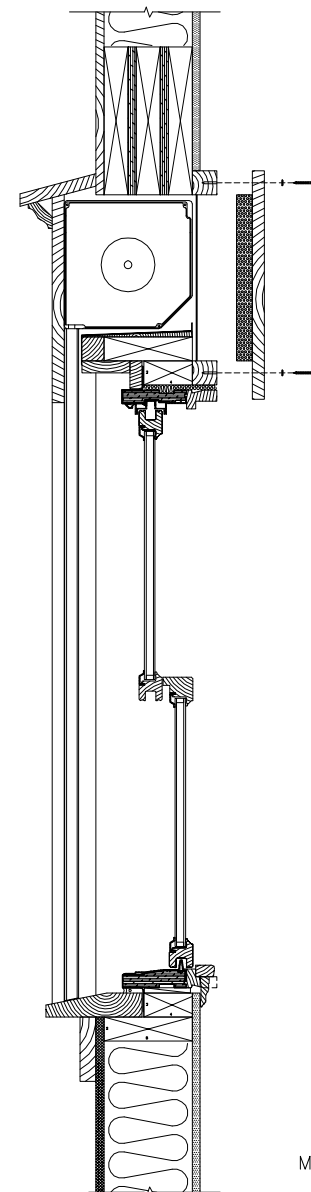
NO.	DATE	BY	REVISION
8			
7	1/22/08	CSG	ADDED NOTATIONS
6	5/15/06	PHB	REMOVED WINDOW REFERENCE, ADDED BOX OPENING SIZE
5	11/11/04	PHB	REVISED HEADER. ADDED MISSING 2X6
4	11/04/04	PHB	FIXED DIMENSIONS OF HTF 40 RAIL ENLARGEMENT
3	11/03/04	PHB	UPDATED ADDRESS, ADDED HTF 40 RAIL, RESCALED TO 1"=1' FOR MAIN VIEWS
2	7/17/03	PHB	ADDED VAPOR BARRIER, FOAM INSULATION, BLOCKING
1	05/19/03	PHB	MINOR TEXT CHANGES

CUSTOMER APPROVAL:	
BY:	
DATE:	
BY:	CG
SCALE:	VARIES
DATE:	01 22 08

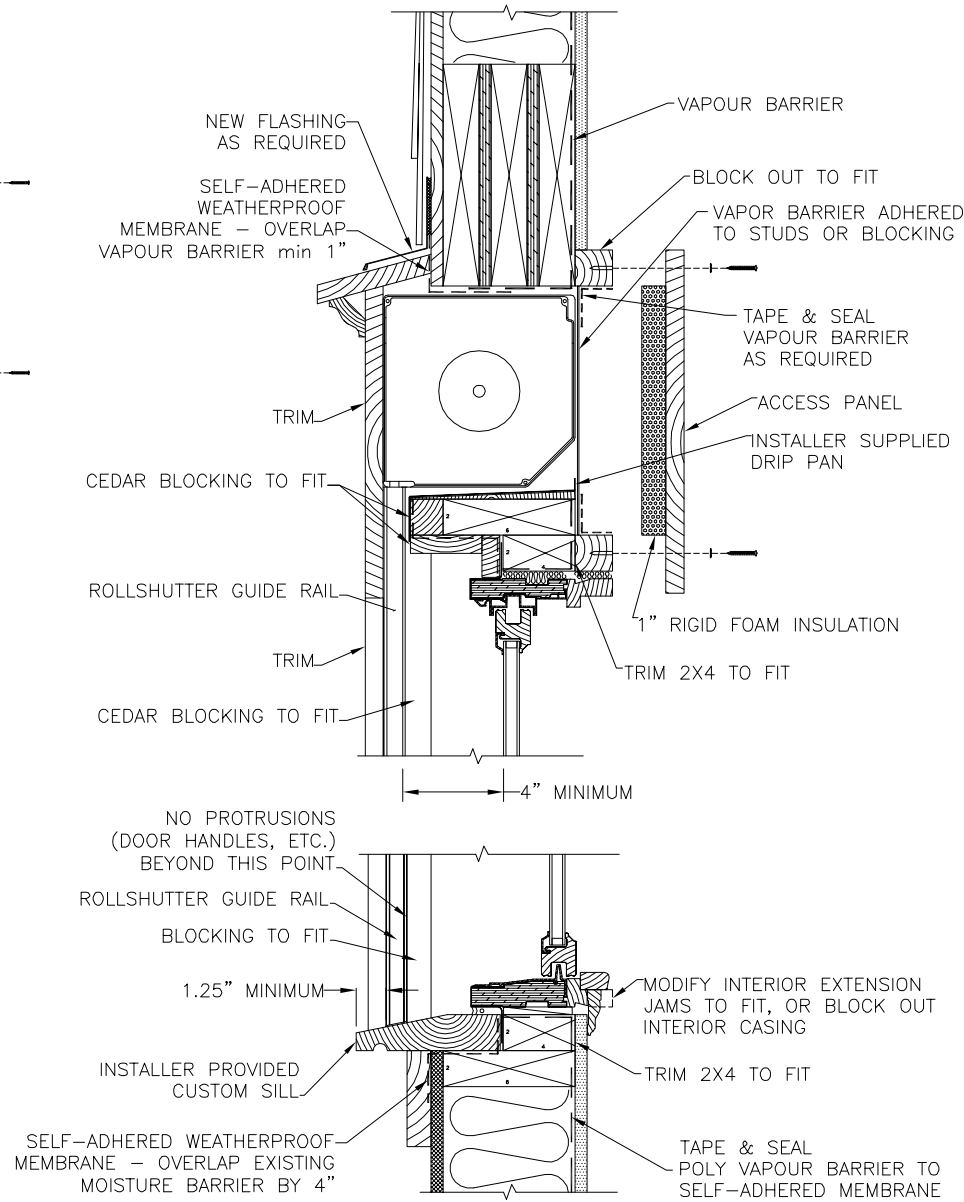
		350 KIDDS HILL ROAD HYANNIS MA 02601 USA	
REVERSE BOX WITH 3" CLEARANCE - 2X6 STUDS			
CUSTOMER PART NUMBER:	-	S&SS PART NUMBER:	-
FILE NAME:	SSA108-2	VERSION:	1
DISK:	\CDD\...	REVISION:	7
		DRAWING NAME: SSA108-2 1 6	



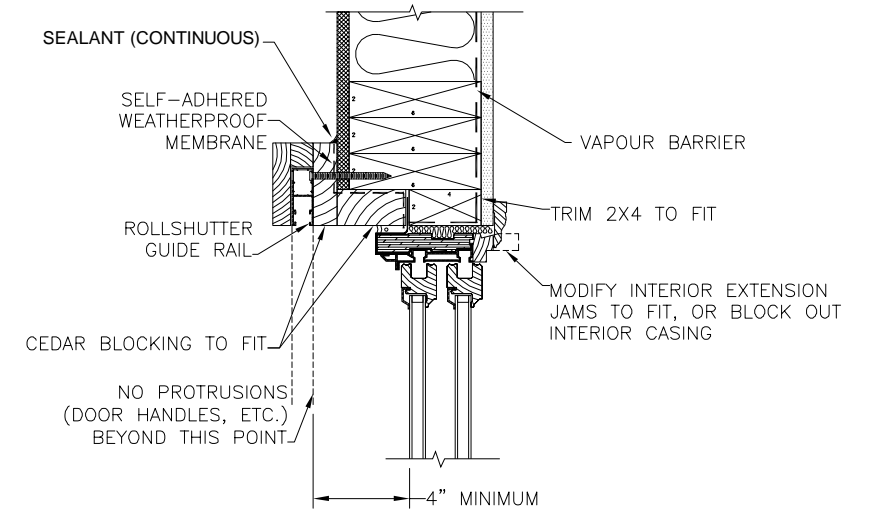
ELEVATION
SCALE: 1"=1'-0"



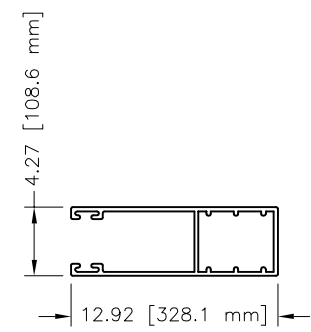
OVERALL SECTION
SCALE: 1"=1'-0"



SECTION DETAIL
SCALE: 1 1/2"=1'-0"



VERTICAL CROSS SECTION
(LOOKING DOWN)
SCALE: 1 1/2"=1'-0"



PART No.
NAME: HTF 40

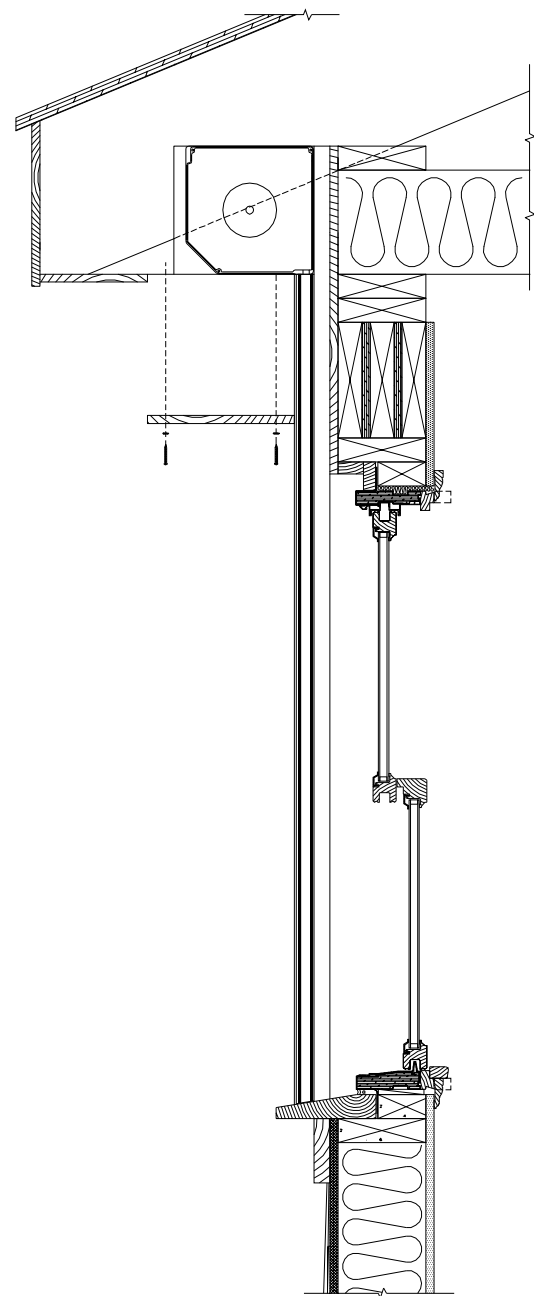
SCALE: NTS

THIS DRAWING CONTAINS TRADE SECRETS AND CONFIDENTIAL AND PROPRIETARY INFORMATION OF SHADE & SHUTTER SYSTEMS, INC. IT IS NOT TO BE USED OR DISCLOSED WITHOUT EXPRESS WRITTEN PERMISSION OF SHADE & SHUTTER SYSTEMS, INC. By accepting the document you agree to the above. Copyright © Shade & Shutter Systems, Inc. 2003. All rights reserved.

NO.	DATE	BY	REVISION
8			
7	1/22/08	CSG	ADDED NOTATIONS
6	5/15/06	PHB	REMOVED WINDOW REFERENCE, ADDED BOX OPENING SIZE
5	11/11/04	PHB	REVISED HEADER. ADDED MISSING 2X6
4	11/04/04	PHB	FIXED DIMENSIONS OF HTF 40 RAIL ENLARGEMENT
3	11/03/04	PHB	UPDATED ADDRESS, ADDED HTF 40 RAIL, RESCALED TO 1"=1' FOR MAIN VIEWS
2	7/17/03	PHB	ADDED VAPOR BARRIER, FOAM INSULATION, BLOCKING
1	05/19/03	PHB	MINOR TEXT CHANGES

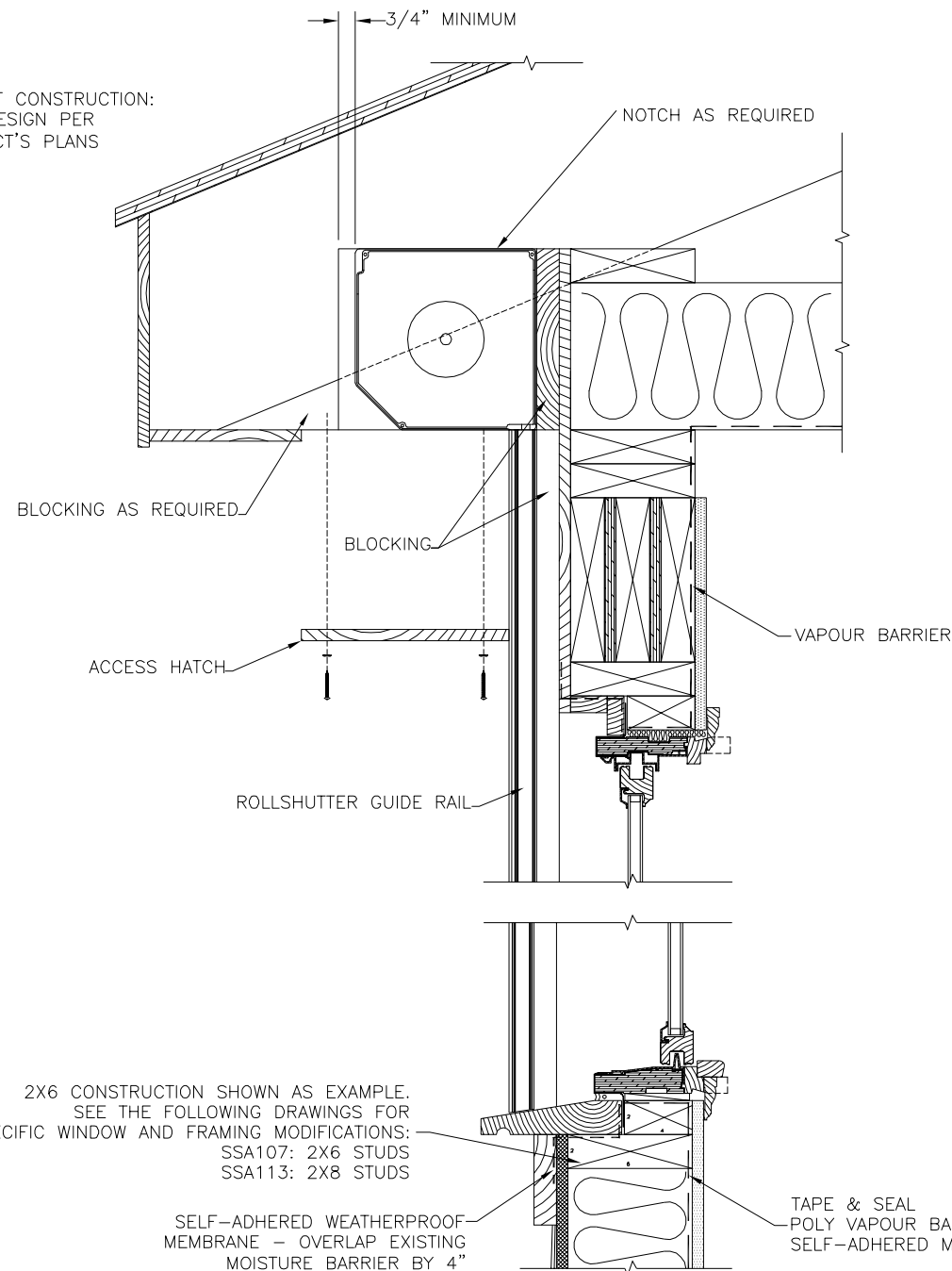
CUSTOMER APPROVAL:	
BY:	
DATE:	
BY: CG	
SCALE:	VARIABLES
DATE:	01 22 08

		350 KIDDS HILL ROAD HYANNIS MA 02601 USA	
REVERSE BOX WITH 4" CLEARANCE - 2X6 STUDS			
CUSTOMER PART NUMBER: -		S&SS PART NUMBER: -	
FILE NAME: SSA109-2	VERSION: 1	DRAWING NAME: SSA109-2 1 6	
DISK: \CDD\...	REVISION: 7		

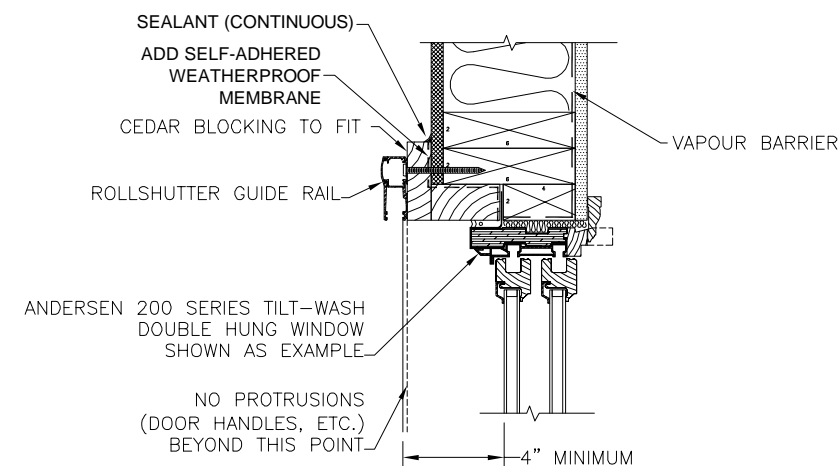


OVERALL SECTION
SCALE: 1"=1'-0"

EXAMPLE ROOF CONSTRUCTION:
ROOF DESIGN PER
ARCHITECT'S PLANS



SECTION DETAIL
SCALE: 1 1/2"=1'-0"



VERTICAL CROSS SECTION
(LOOKING DOWN)
SCALE: 1 1/2"=1'-0"

2X6 CONSTRUCTION SHOWN AS EXAMPLE.
SEE THE FOLLOWING DRAWINGS FOR
SPECIFIC WINDOW AND FRAMING MODIFICATIONS:
SSA107: 2X6 STUDS
SSA113: 2X8 STUDS

SELF-ADHERED WEATHERPROOF
MEMBRANE - OVERLAP EXISTING
MOISTURE BARRIER BY 4"

TAPE & SEAL
POLY VAPOUR BARRIER TO
SELF-ADHERED MEMBRANE

THIS DRAWING CONTAINS TRADE SECRETS AND CONFIDENTIAL AND PROPRIETARY INFORMATION OF SHADE & SHUTTER SYSTEMS, INC. IT IS NOT TO BE USED OR DISCLOSED WITHOUT EXPRESS WRITTEN PERMISSION OF SHADE & SHUTTER SYSTEMS, INC.

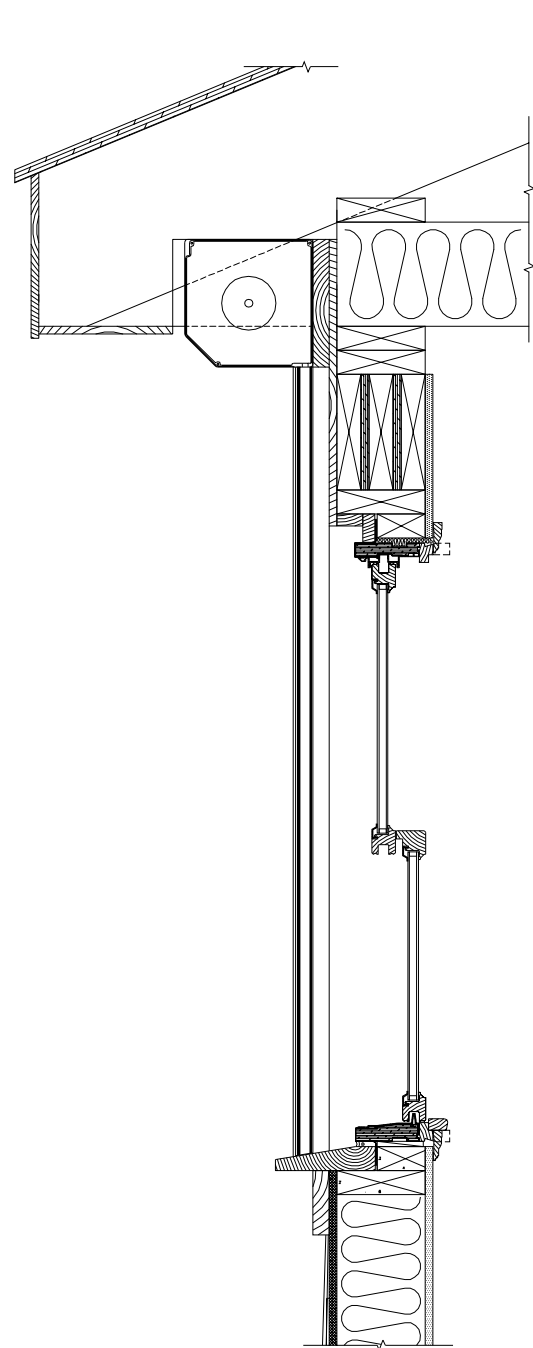
By accepting the document you agree to the above.

Copyright © Shade & Shutter Systems, Inc. 2003. All rights reserved.

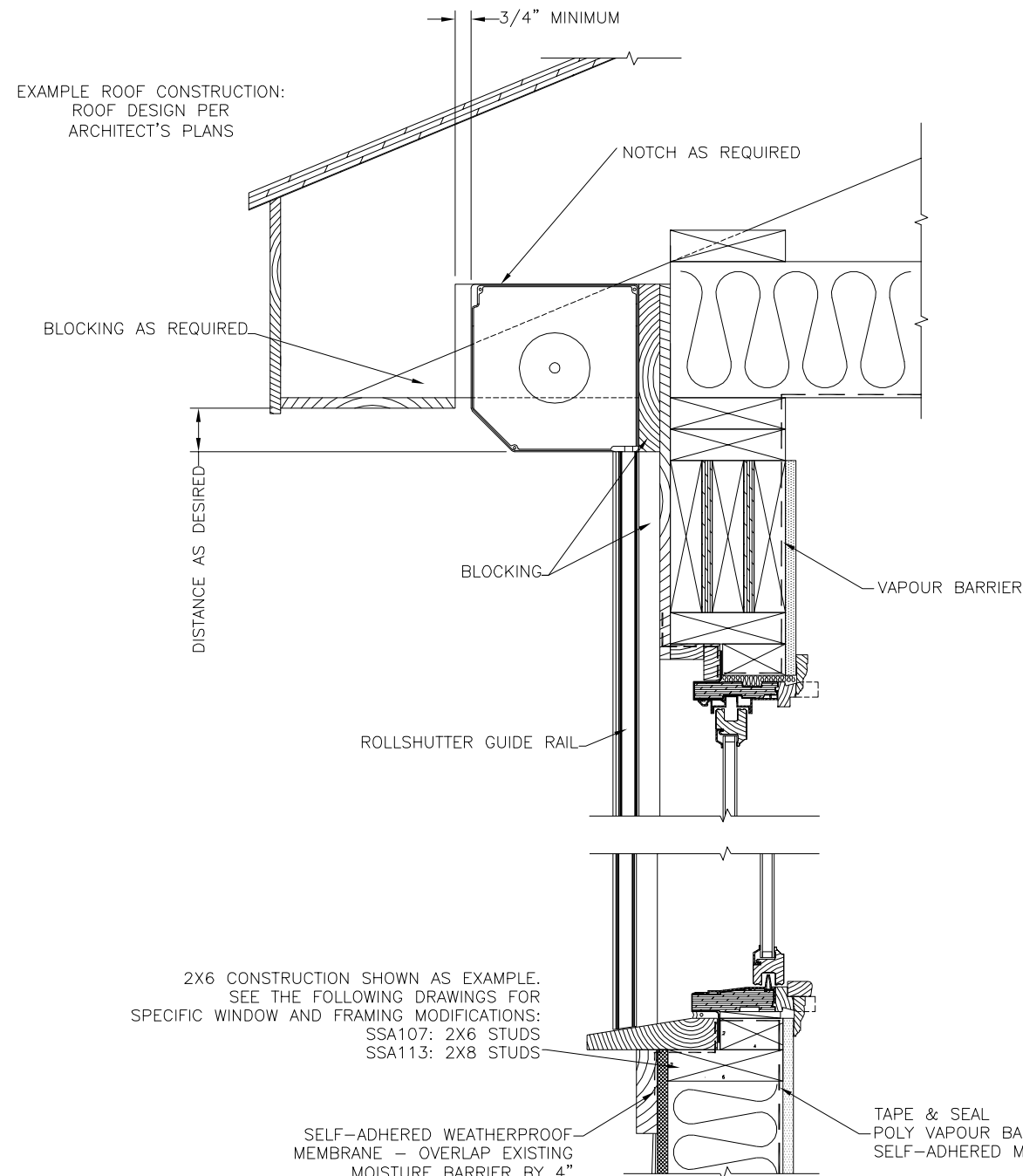
NO.	DATE	BY	REVISION
8			
7	1/22/08	CSG	ADDED NOTATIONS
6	5/15/06	PHB	REMOVED WINDOW REFERENCE, ADDED BOX OPENING SIZE
5	11/11/04	PHB	REVISED HEADER. ADDED MISSING 2X6
4	11/04/04	PHB	FIXED DIMENSIONS OF HTF 40 RAIL ENLARGEMENT
3	11/03/04	PHB	UPDATED ADDRESS, ADDED HTF 40 RAIL, RESCALED TO 1"=1' FOR MAIN VIEWS
2	7/17/03	PHB	ADDED VAPOR BARRIER, FOAM INSULATION, BLOCKING
1	05/19/03	PHB	MINOR TEXT CHANGES

CUSTOMER APPROVAL:	
BY:	
DATE:	
BY:	CG
SCALE:	VARIES
DATE:	01 22 08

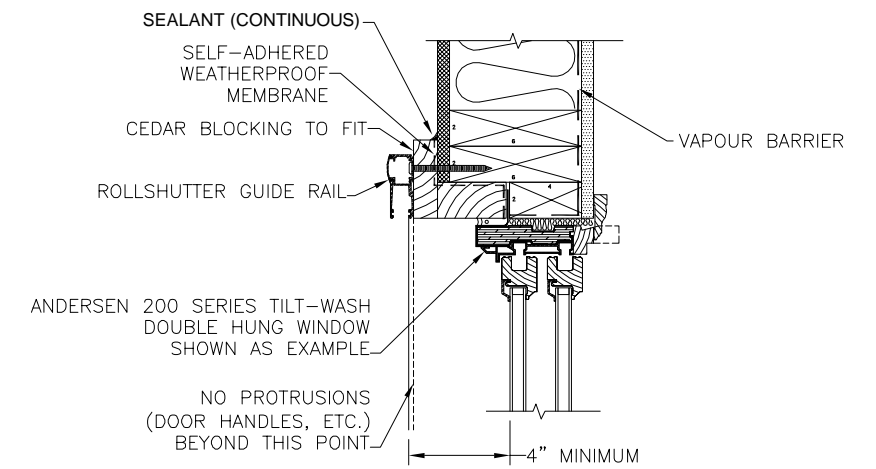
		350 KIDDS HILL ROAD HYANNIS MA 02601 USA	
CONCEALED IN SOFFIT INSTALLATION			
CUSTOMER PART NUMBER: -		S&SS PART NUMBER: -	
FILE NAME: SSA110-2	VERSION: 1	DRAWING NAME: SSA110-2 1 2	
DISK: \CDD\...	REVISION: 7		



OVERALL SECTION
SCALE: 1"=1'-0"



SECTION DETAIL
SCALE: 1 1/2"=1'-0"



VERTICAL CROSS SECTION
(LOOKING DOWN)
SCALE: 1 1/2"=1'-0"

2X6 CONSTRUCTION SHOWN AS EXAMPLE.
SEE THE FOLLOWING DRAWINGS FOR
SPECIFIC WINDOW AND FRAMING MODIFICATIONS:
SSA107: 2X6 STUDS
SSA113: 2X8 STUDS

SELF-ADHERED WEATHERPROOF
MEMBRANE - OVERLAP EXISTING
MOISTURE BARRIER BY 4"

TAPE & SEAL
POLY VAPOUR BARRIER TO
SELF-ADHERED MEMBRANE

THIS DRAWING CONTAINS TRADE SECRETS
AND CONFIDENTIAL AND PROPRIETARY
INFORMATION OF SHADE & SHUTTER
SYSTEMS, INC.
IT IS NOT TO BE USED OR DISCLOSED
WITHOUT EXPRESS WRITTEN PERMISSION
OF SHADE & SHUTTER SYSTEMS, INC.

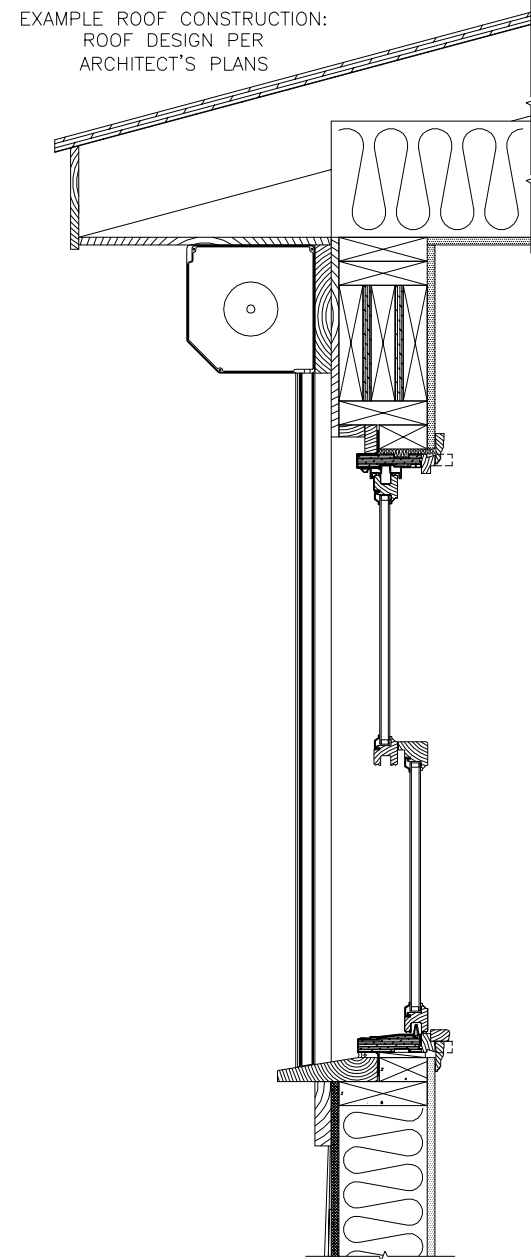
By accepting the document you agree
to the above.

Copyright © Shade & Shutter Systems,
Inc. 2003. All rights reserved.

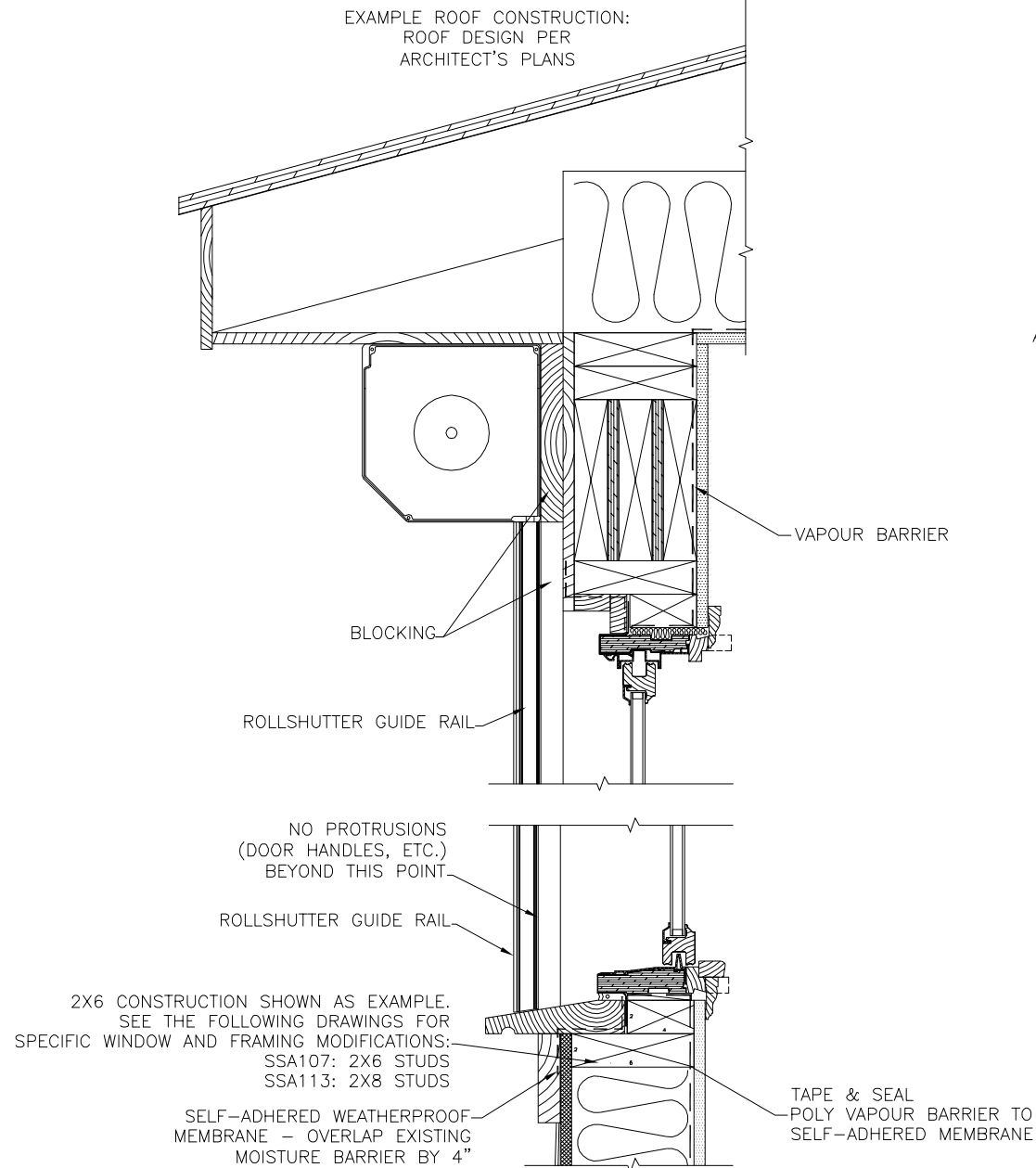
NO.	DATE	BY	REVISION
8			
7	1/22/08	CSG	ADDED NOTATIONS
6	5/15/06	PHB	REMOVED WINDOW REFERENCE, ADDED BOX OPENING SIZE
5	11/11/04	PHB	REVISED HEADER. ADDED MISSING 2X6
4	11/04/04	PHB	FIXED DIMENSIONS OF HTF 40 RAIL ENLARGEMENT
3	11/03/04	PHB	UPDATED ADDRESS, ADDED HTF 40 RAIL, RESCALED TO 1"=1' FOR MAIN VIEWS
2	7/17/03	PHB	ADDED VAPOR BARRIER, FOAM INSULATION, BLOCKING
1	05/19/03	PHB	MINOR TEXT CHANGES

CUSTOMER APPROVAL:	
BY:	
DATE:	
BY:	CG
SCALE:	VARIES
DATE:	01 22 08

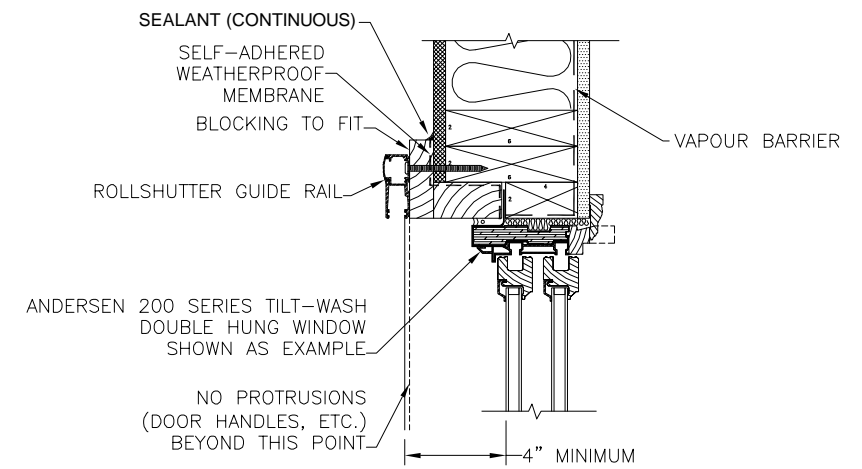
		350 KIDDS HILL ROAD HYANNIS MA 02601 USA	
SEMI-EXPOSED SOFFIT INSTALLATION			
CUSTOMER PART NUMBER:	—	S&SS PART NUMBER:	—
FILE NAME:	SSA116-2	VERSION:	1
DISK:	\CDD\...	REVISION:	7
		DRAWING NAME: SSA116-2 1 1	



OVERALL SECTION
SCALE: 1"=1'-0"



SECTION DETAIL
SCALE: 1 1/2"=1'-0"



VERTICAL CROSS SECTION
(LOOKING DOWN)
SCALE: 1 1/2"=1'-0"

THIS DRAWING CONTAINS TRADE SECRETS AND CONFIDENTIAL AND PROPRIETARY INFORMATION OF SHADE & SHUTTER SYSTEMS, INC. IT IS NOT TO BE USED OR DISCLOSED WITHOUT EXPRESS WRITTEN PERMISSION OF SHADE & SHUTTER SYSTEMS, INC.

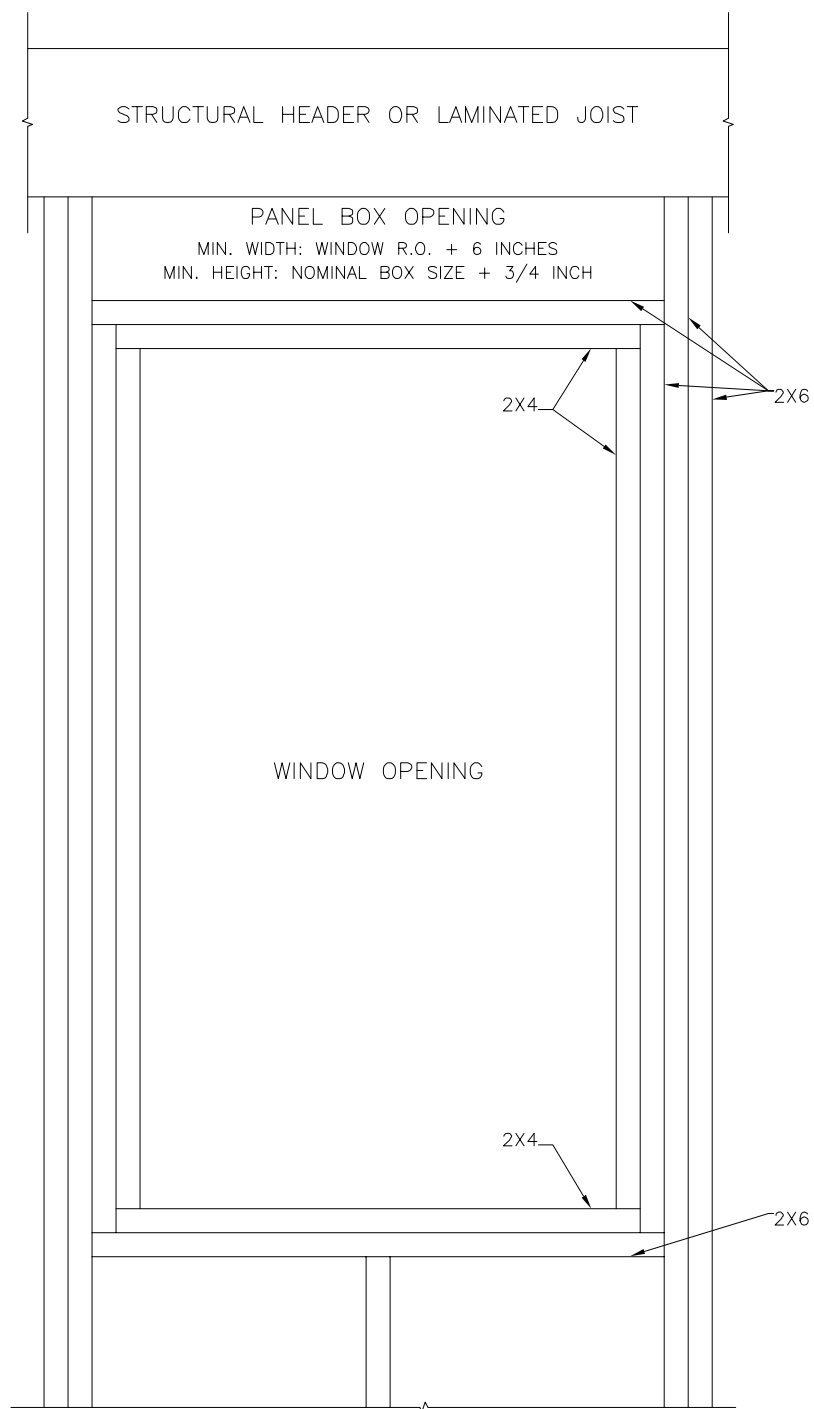
By accepting the document you agree to the above.

Copyright © Shade & Shutter Systems, Inc. 2003. All rights reserved.

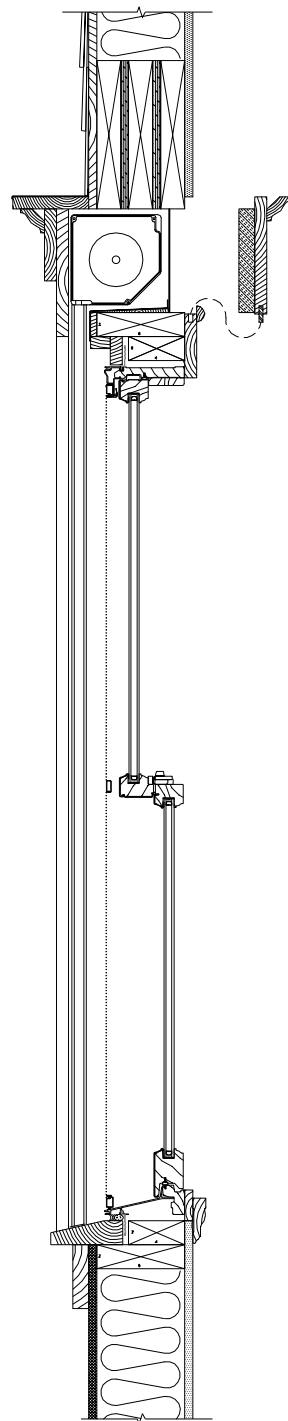
8			
7	1/22/08	CSG	ADDED NOTATIONS
6	5/15/06	PHB	REMOVED WINDOW REFERENCE, ADDED BOX OPENING SIZE
5	11/11/04	PHB	REVISED HEADER. ADDED MISSING 2X6
4	11/04/04	PHB	FIXED DIMENSIONS OF HTF 40 RAIL ENLARGEMENT
3	11/03/04	PHB	UPDATED ADDRESS, ADDED HTF 40 RAIL, RESCALED TO 1"=1' FOR MAIN VIEWS
2	7/17/03	PHB	ADDED VAPOR BARRIER, FOAM INSULATION, BLOCKING
1	05/19/03	PHB	MINOR TEXT CHANGES
NO.	DATE	BY	REVISION

CUSTOMER APPROVAL:
BY:
DATE:
BY: CG
SCALE: VARIES
DATE: 01 22 08

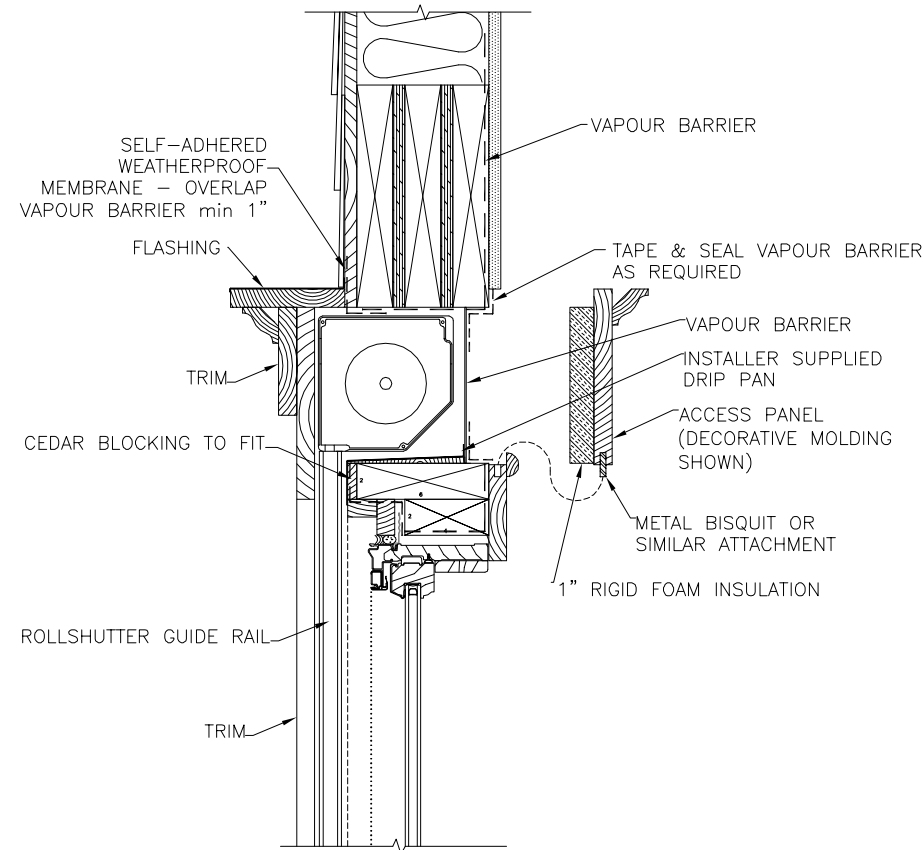
SHADE & SHUTTER SYSTEMS, INC.	350 KIDDS HILL ROAD HYANNIS MA 02601 USA	
BELOW SOFFIT INSTALLATION		
CUSTOMER PART NUMBER: -	S&SS PART NUMBER: -	
FILE NAME: SSA116-2	VERSION: 1	DRAWING NAME:
DISK: \CDD\...	REVISION: 7	SSA117-2 1 1



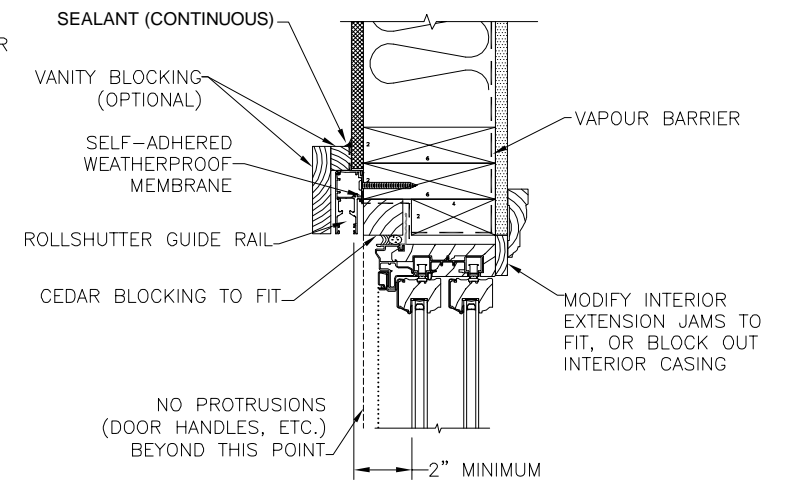
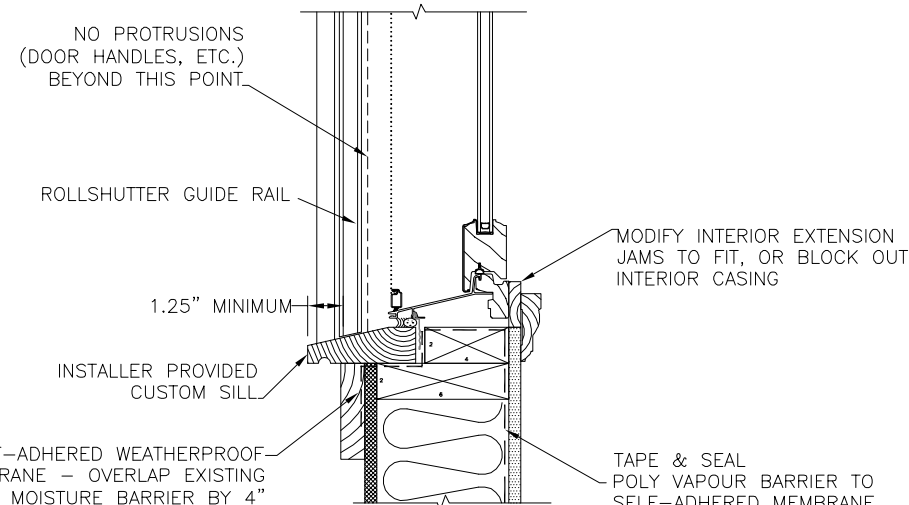
ELEVATION
SCALE: 1"=1'-0"



OVERALL SECTION
SCALE: 1"=1'-0"



SECTION DETAIL
SCALE: 1 1/2"=1'-0"



VERTICAL CROSS SECTION
(LOOKING DOWN)
SCALE: 1 1/2"=1'-0"

THIS DRAWING CONTAINS TRADE SECRETS AND CONFIDENTIAL AND PROPRIETARY INFORMATION OF SHADE & SHUTTER SYSTEMS, INC. IT IS NOT TO BE USED OR DISCLOSED WITHOUT EXPRESS WRITTEN PERMISSION OF SHADE & SHUTTER SYSTEMS, INC.

By accepting the document you agree to the above.

Copyright © Shade & Shutter Systems, Inc. 2003. All rights reserved.

NO.	DATE	BY	REVISION
8			
7	1/22/08	CSG	ADDED NOTATIONS
6	5/15/06	PHB	REMOVED WINDOW REFERENCE, ADDED BOX OPENING SIZE
5	11/11/04	PHB	REVISED HEADER, ADDED MISSING 2X6
4	11/04/04	PHB	FIXED DIMENSIONS OF HTF 40 RAIL ENLARGEMENT
3	11/03/04	PHB	UPDATED ADDRESS, ADDED HTF 40 RAIL, RESCALED TO 1"=1' FOR MAIN VIEWS
2	7/17/03	PHB	ADDED VAPOR BARRIER, FOAM INSULATION, BLOCKING
1	05/19/03	PHB	MINOR TEXT CHANGES

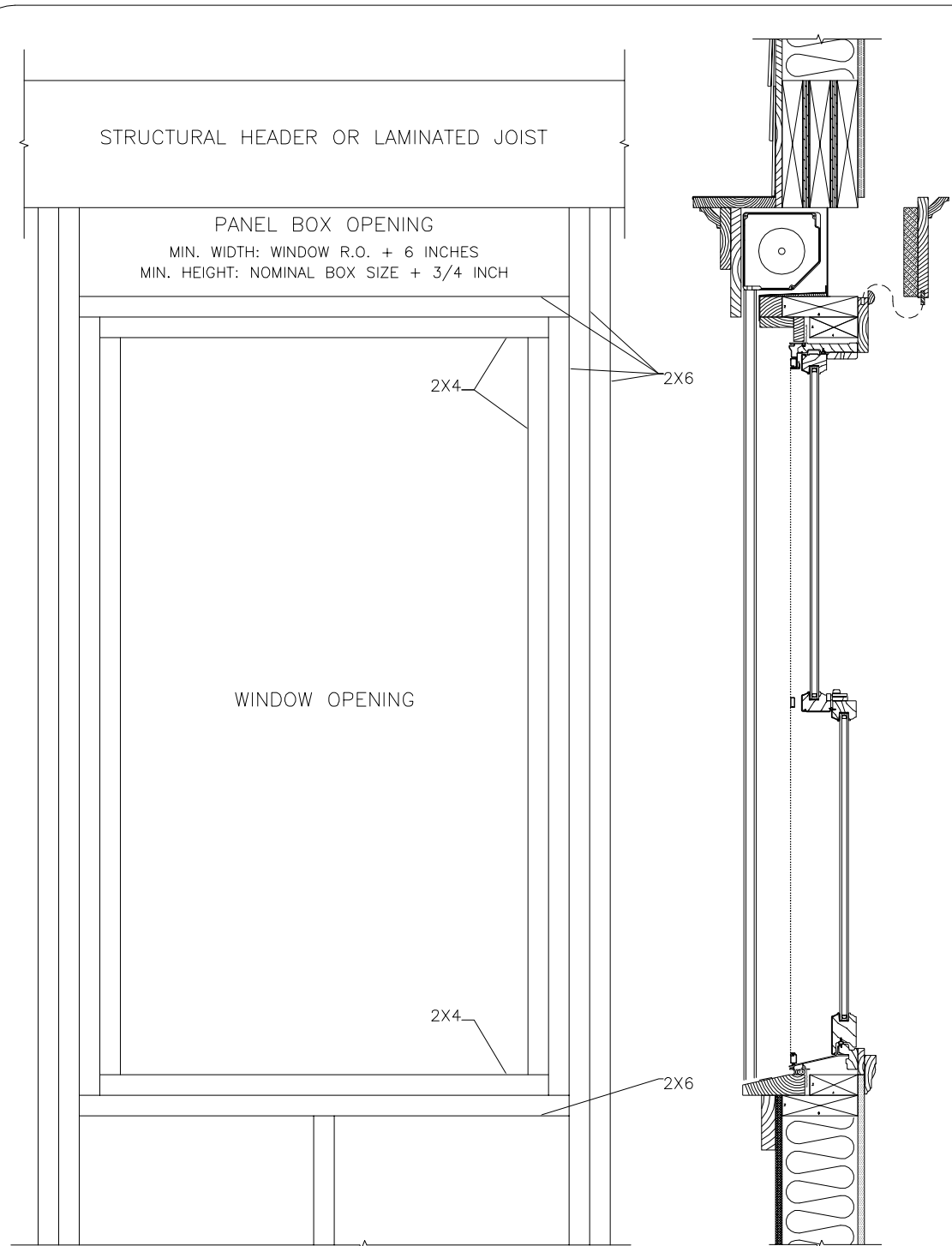
CUSTOMER APPROVAL:
BY:
DATE:

BY: CG
SCALE: VARIES
DATE: 01 22 08

SHADE & SHUTTER SYSTEMS, INC. 350 KIDDS HILL ROAD HYANNIS MA 02601 USA

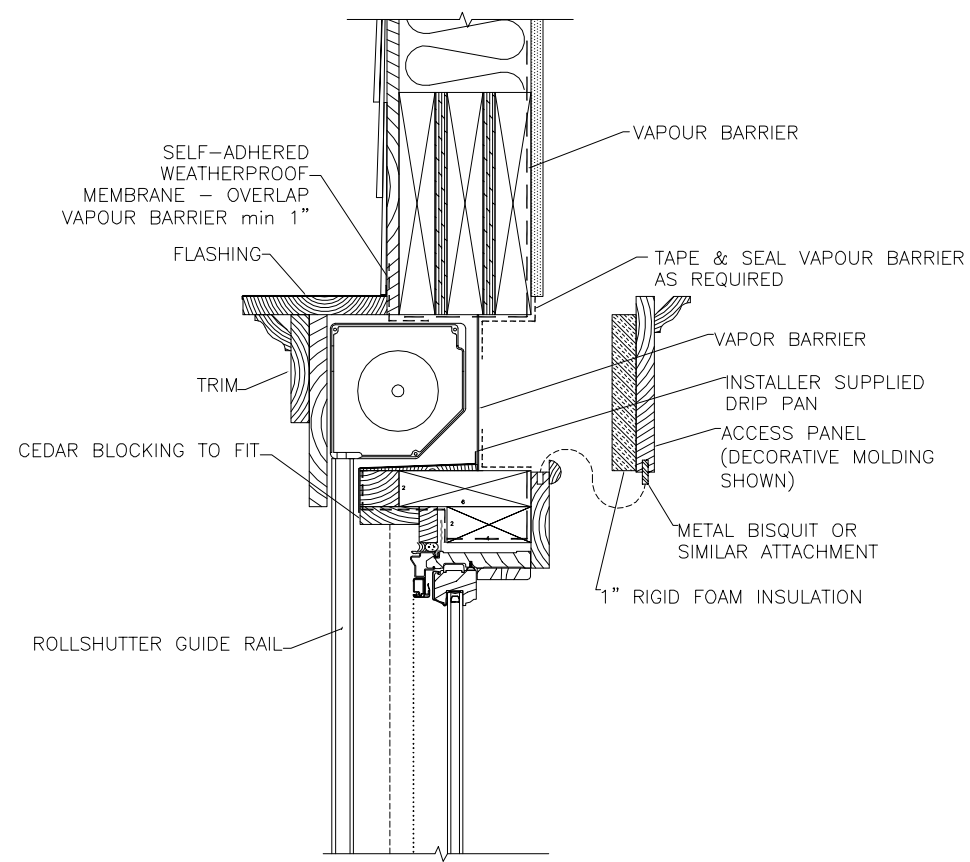
REVERSE BOX MOUNTED AT STUDS

CUSTOMER PART NUMBER: -	S&SS PART NUMBER: -
FILE NAME: SSA121-2	VERSION: 1
DISK: \CDD\...	REVISION: 7
DRAWING NAME: SSA121-2 1 0	

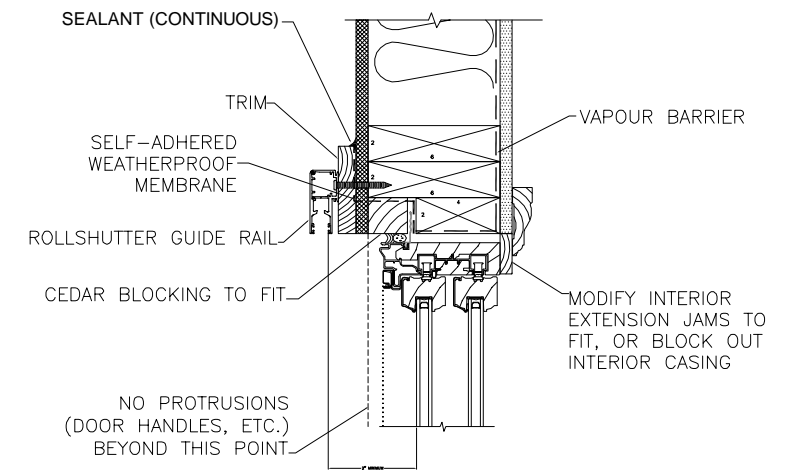


ELEVATION
SCALE: 1"=1'-0"

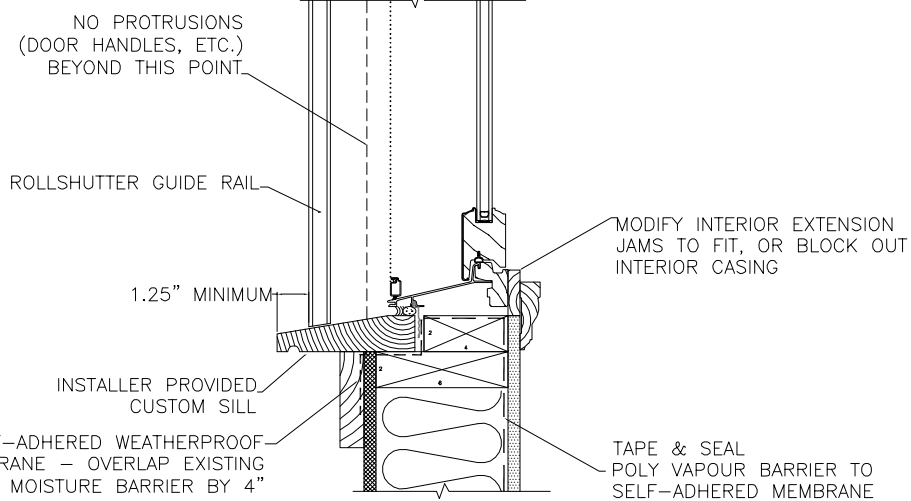
OVERALL SECTION
SCALE: 1"=1'-0"



SECTION DETAIL
SCALE: 1 1/2"=1'-0"



VERTICAL CROSS SECTION
(LOOKING DOWN)
SCALE: 1 1/2"=1'-0"

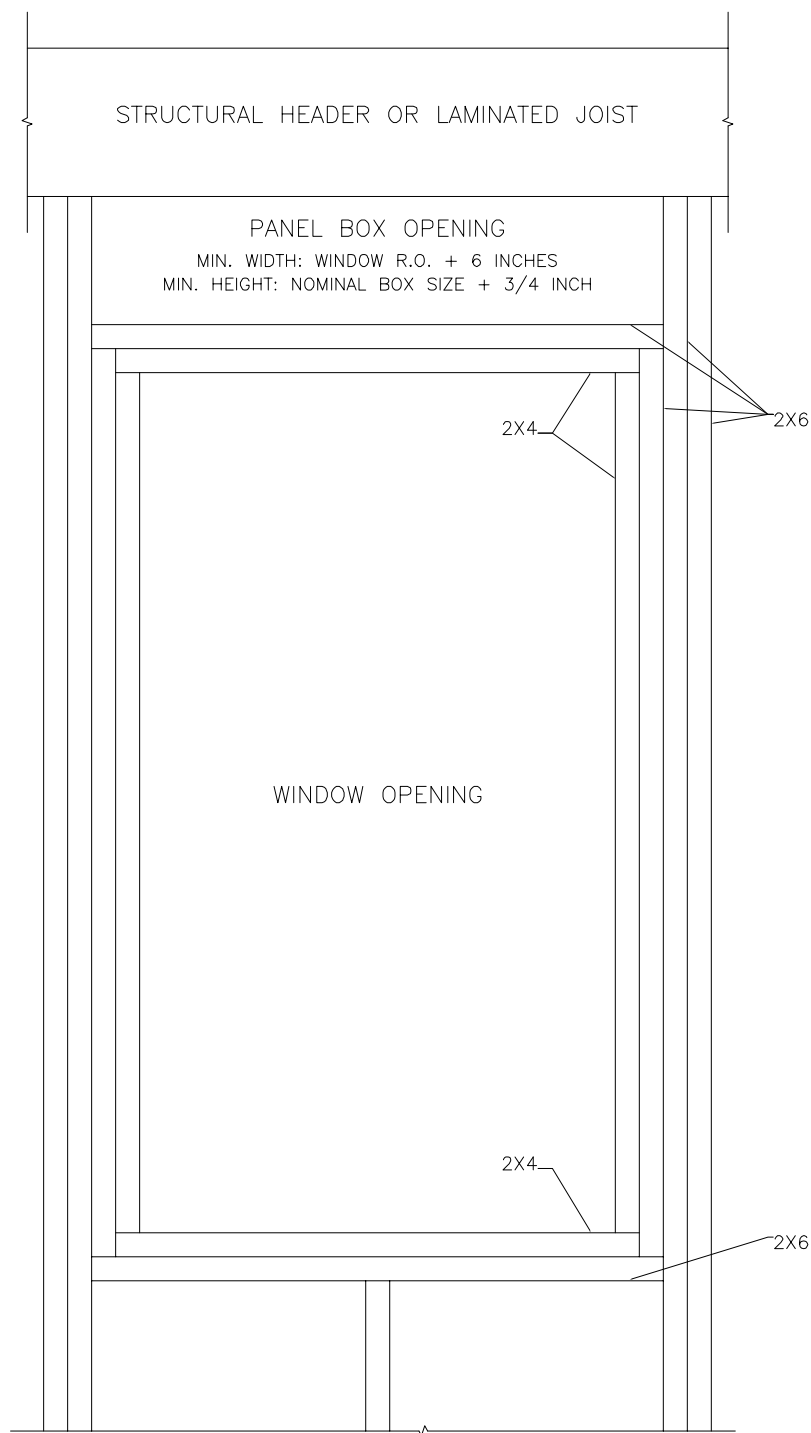


THIS DRAWING CONTAINS TRADE SECRETS AND CONFIDENTIAL AND PROPRIETARY INFORMATION OF SHADE & SHUTTER SYSTEMS, INC. IT IS NOT TO BE USED OR DISCLOSED WITHOUT EXPRESS WRITTEN PERMISSION OF SHADE & SHUTTER SYSTEMS, INC. By accepting the document you agree to the above. Copyright © Shade & Shutter Systems, Inc. 2003. All rights reserved.

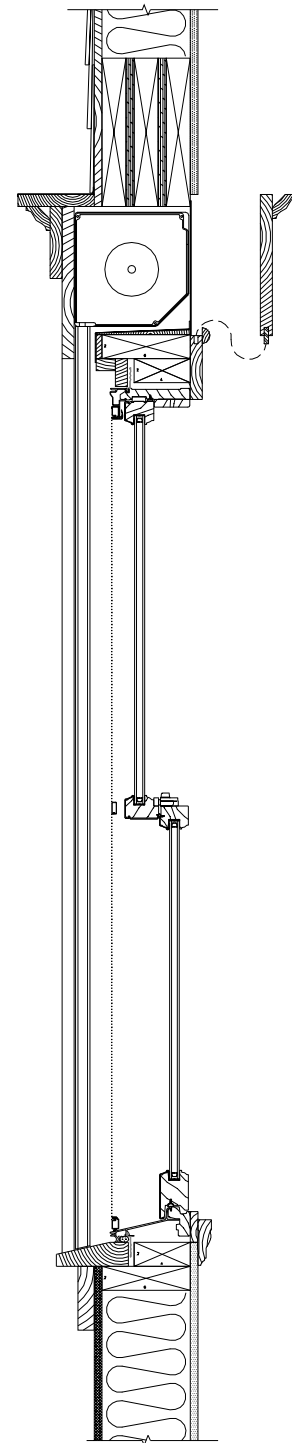
NO.	DATE	BY	REVISION
8			
7	1/22/08	CSG	ADDED NOTATIONS
6	5/15/06	PHB	REMOVED WINDOW REFERENCE, ADDED BOX OPENING SIZE
5	11/11/04	PHB	REVISED HEADER. ADDED MISSING 2X6
4	11/04/04	PHB	FIXED DIMENSIONS OF HTF 40 RAIL ENLARGEMENT
3	11/03/04	PHB	UPDATED ADDRESS, ADDED HTF 40 RAIL, RESCALED TO 1"=1' FOR MAIN VIEWS
2	7/17/03	PHB	ADDED VAPOR BARRIER, FOAM INSULATION, BLOCKING
1	05/19/03	PHB	MINOR TEXT CHANGES

CUSTOMER APPROVAL:	
BY:	
DATE:	
BY:	CG
SCALE:	VARIES
DATE:	01 22 08

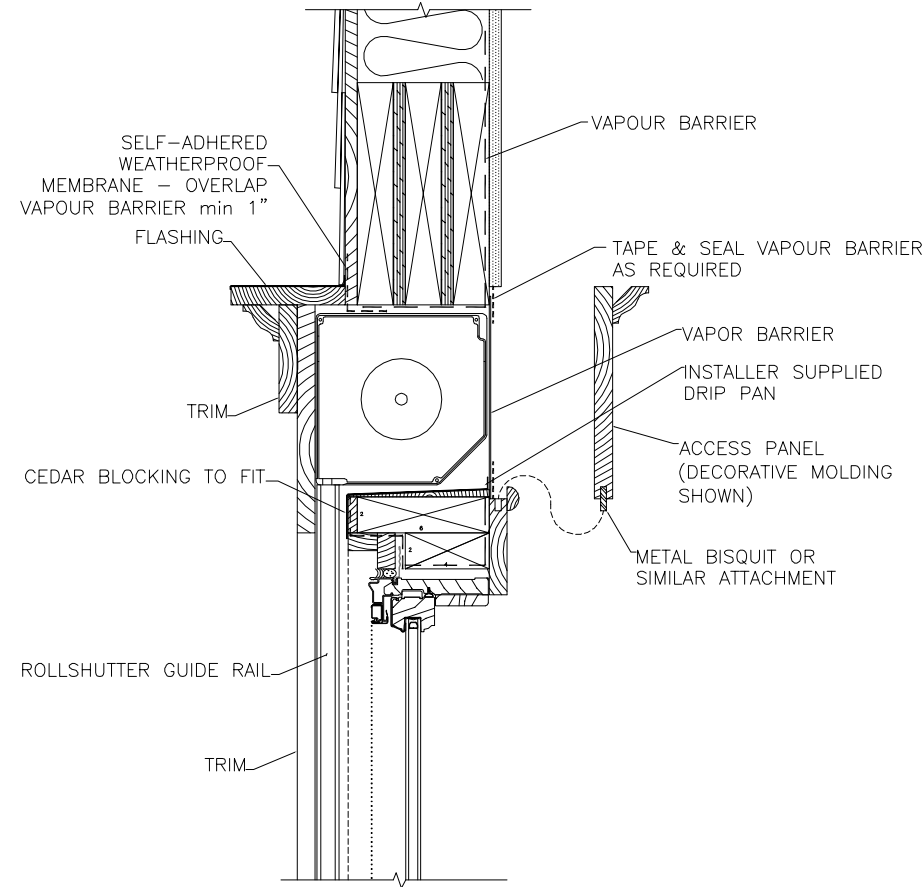
SHADE & SHUTTER SYSTEMS, INC.		350 KIDDS HILL ROAD HYANNIS MA 02601 USA	
REVERSE BOX MOUNTED OVER TRIM			
CUSTOMER PART NUMBER:	—	S&SS PART NUMBER:	—
FILE NAME:	SSA122-2	VERSION:	1
DISK:	\CDD\...	REVISION:	7
		DRAWING NAME: SSA122-2 1 0	



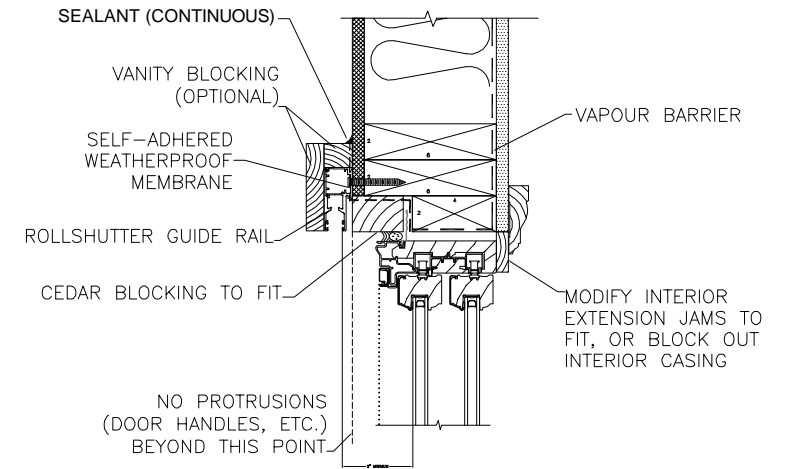
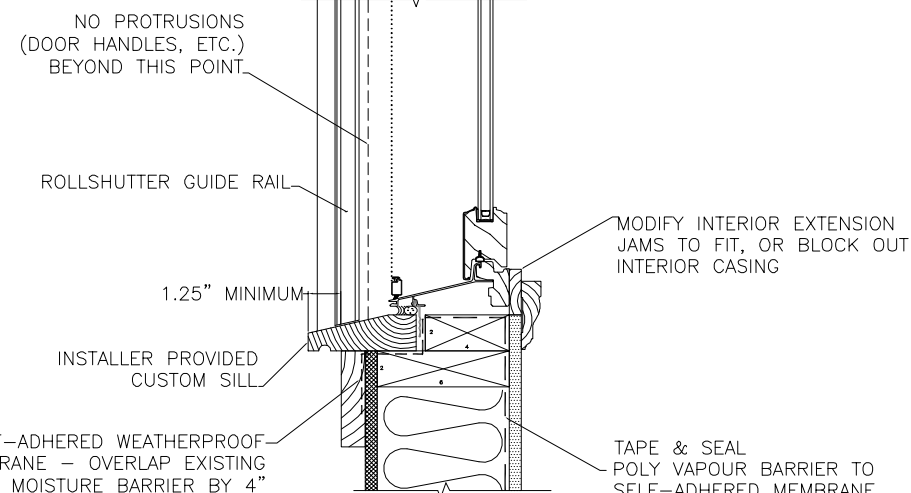
ELEVATION
SCALE: 1"=1'-0"



OVERALL SECTION
SCALE: 1"=1'-0"



SECTION DETAIL
SCALE: 1 1/2"=1'-0"



VERTICAL CROSS SECTION
(LOOKING DOWN)
SCALE: 1 1/2"=1'-0"

THIS DRAWING CONTAINS TRADE SECRETS AND CONFIDENTIAL AND PROPRIETARY INFORMATION OF SHADE & SHUTTER SYSTEMS, INC. IT IS NOT TO BE USED OR DISCLOSED WITHOUT EXPRESS WRITTEN PERMISSION OF SHADE & SHUTTER SYSTEMS, INC. By accepting the document you agree to the above. Copyright © Shade & Shutter Systems, Inc. 2003. All rights reserved.

NO.	DATE	BY	REVISION
8			
7	1/22/08	CSG	ADDED NOTATIONS
6	5/15/06	PHB	REMOVED WINDOW REFERENCE, ADDED BOX OPENING SIZE
5	11/11/04	PHB	REVISED HEADER, ADDED MISSING 2X6
4	11/04/04	PHB	FIXED DIMENSIONS OF HTF 40 RAIL ENLARGEMENT
3	11/03/04	PHB	UPDATED ADDRESS, ADDED HTF 40 RAIL, RESCALED TO 1"=1' FOR MAIN VIEWS
2	7/17/03	PHB	ADDED VAPOR BARRIER, FOAM INSULATION, BLOCKING
1	05/19/03	PHB	MINOR TEXT CHANGES

CUSTOMER APPROVAL:	
BY:	
DATE:	
BY:	CG
SCALE:	VARIES
DATE:	01 22 08

		350 KIDDS HILL ROAD HYANNIS MA 02601 USA	
REVERSE BOX MOUNTED TO SHEATHING			
CUSTOMER PART NUMBER:	—	S&SS PART NUMBER:	—
FILE NAME:	SSA123-2	VERSION:	1
DISK:	\CDD\...	REVISION:	7
		SSA123-2 1 0	