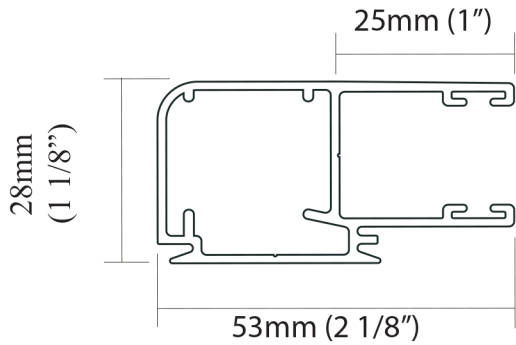


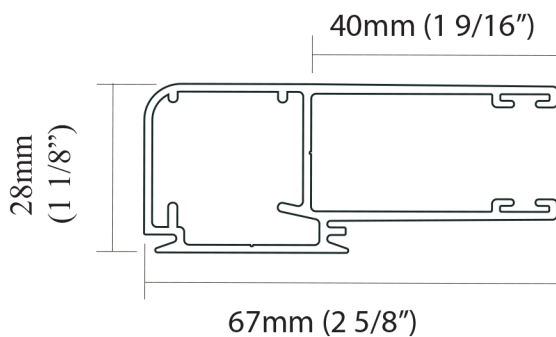
Mini Safe Pro Guide Rail Specifications



Pro Guide Rail
Extruded Aluminum

Pro Guide Rails are ideal for most rollshutter applications and for all rollscreen applications.

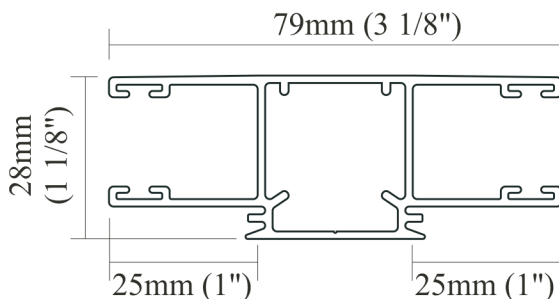
Pro Guide Rails measure 53mm or 2 1/8" in width. The mounting channel measures 28mm or 1 1/8" and the guide rail channel measures 25mm or 1"



Pro-40 Guide Rail
Extruded Aluminum

Pro-40 Guide Rails are intended for rollshutters only and are necessary when security requirements demand greater strength and guide rail penetration and when there are high winds to contend with.

Pro-40 Guide Rails measure 67mm or 2 5/8" in width. The mounting channel measures 28mm or 1 1/8", and the guide rail channel measures 40mm or 1 9/16"



Pro Centre Guide Rail
Extruded Aluminum

Pro Centre Rails can be used to split rollshutters or rollscreens that exceed Talius' recommended widths for a single span, and requires less mounting surface than Pro Guide Rails mounted back to back.

Pro Centre Rails measure 79mm or 3 1/8" in width. The mounting channel measures 29mm, or 1 1/8" and each guide rail channel measures 25mm or 1"